



# Marché Bag

Design & work: Kokka Fabric

Size: about 26cm (l)  
about 48cm (w)

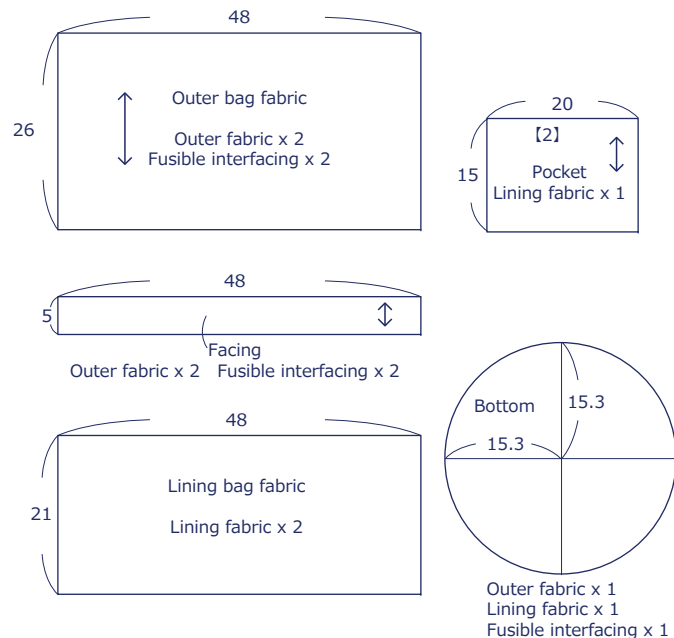
## Materials

- Outer fabric 110cm wide x 60cm
- Lining fabric 110cm wide x 60cm
- Fusible interfacing (medium thickness) 90cm wide x 80cm
- Leather handle tape 2.5cm wide x 94cm

Fabric shown for this sample: P45600-601B Basket weave

## Pattern

Unit: cm. [ ] denotes seam.  
When cutting the fabric, add 1cm seam unless otherwise stated.



※ Adhere fusible interfacing on the back of the outer fabrics.

have fun with KOKKA fabric! produced by **KOKKA**

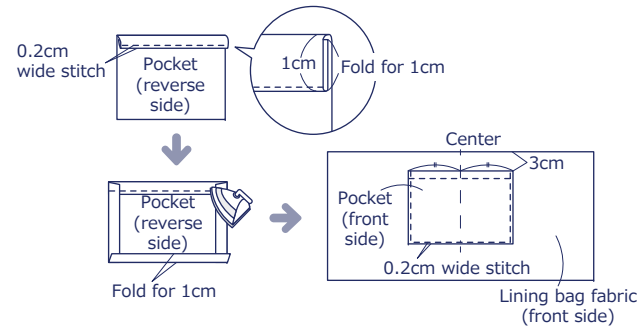
[kokka-fabric.com](http://kokka-fabric.com)

The craft projects and works featured in kokka-fabric.com are strictly for personal use and enjoyment.  
Please refrain from selling handmade items using the same exact design (including the pieces made in different fabrics) featured in kokka-fabric.com.

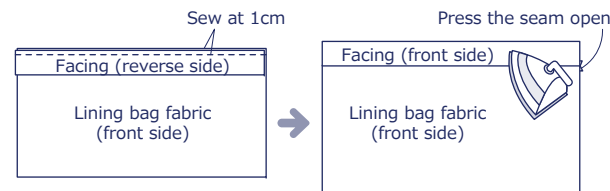
## Instructions

1. Make the pocket and attach it to the lining bag fabric (only one side).

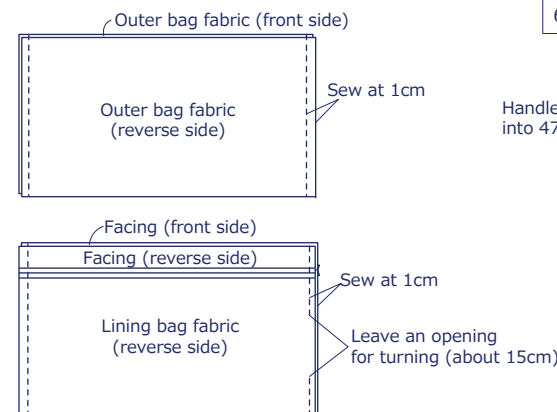
Double fold the pocket opening and sew. Fold the seam on the surrounding ends for 1cm.



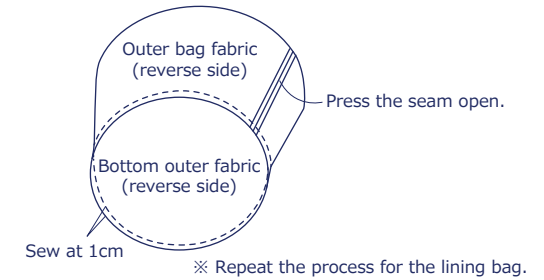
2. With the front sides facing each other, sew together the lining bag fabric and facing.



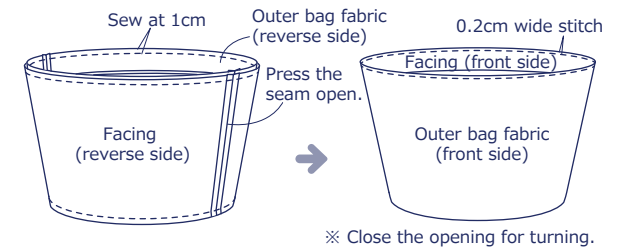
3. With the front sides facing each other, sew together the bag fabrics at the side.



4. With the front sides facing each other, sew together the bag tube portion and bottom.



5. With the front sides facing each other, sew together the outer bag and lining bag at the top opening. Using the opening for turning, turn the bag inside out and apply stitching at the top opening.



6. Attach the handle tape to the bag fabric to finish.

