



# Square Tote Bag (Medium)

Design & work: Kokka Fabric

Size: about 29cm (l)  
 about 30cm (W)  
 about 12cm (d)  
 (excluding handles)

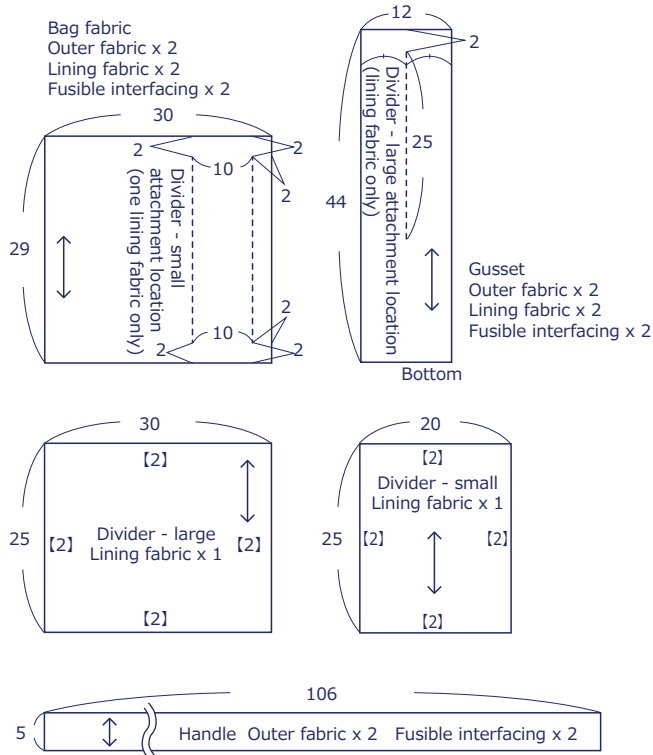
## Materials and Tools

- Outer Fabric: 110cm wide x 70cm
- Lining Fabric: 110cm wide x 70cm
- Fusible interfacing (Thick) 110cm wide x 70cm

Fabric shown for this sample: P45800-801A

## Pattern

Unit: Centimeters (cm) [ ] : Seam allowance  
 Add 1cm seam allowance when you cut the fabric unless otherwise stated.



※ Adhere fusible interfacing on the back of the outer fabrics.

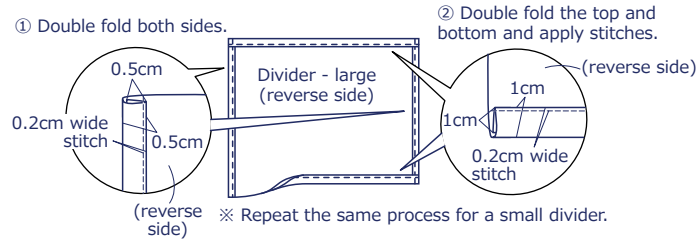
have fun with KOKKA fabric! produced by **KOKKA**

[kokka-fabric.com](http://kokka-fabric.com)

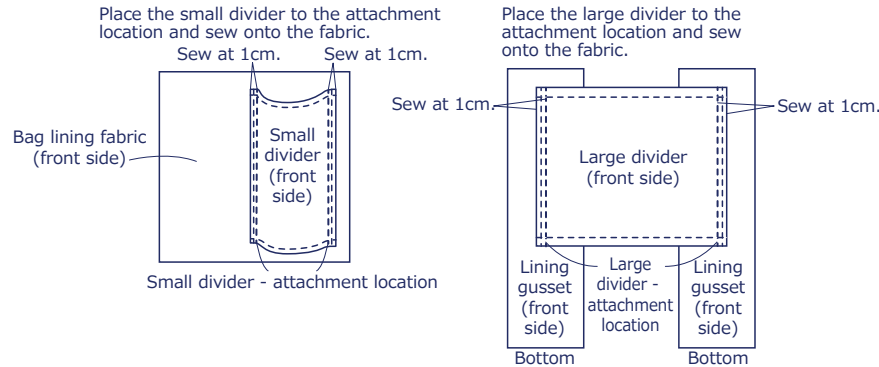
The craft projects and works featured in kokka-fabric.com are strictly for personal use and enjoyment.  
 Please refrain from selling handmade items using the same exact design (including the pieces made in different fabrics) featured in kokka-fabric.com.

## Instructions

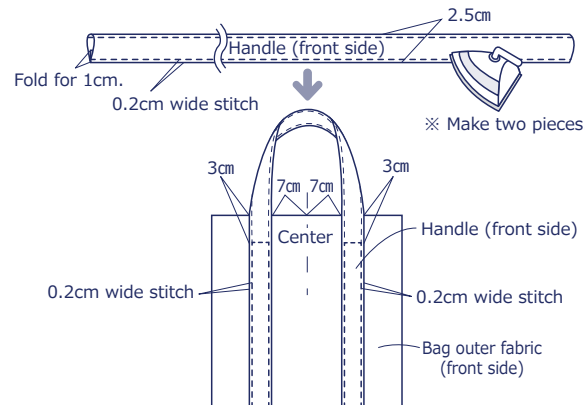
1. Double fold the sides, top and bottom of the divider fabrics.



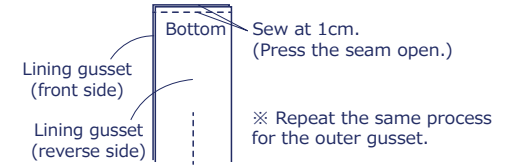
2. Attach the small divider to the bag lining fabric, and large divider to the gusset lining fabric.



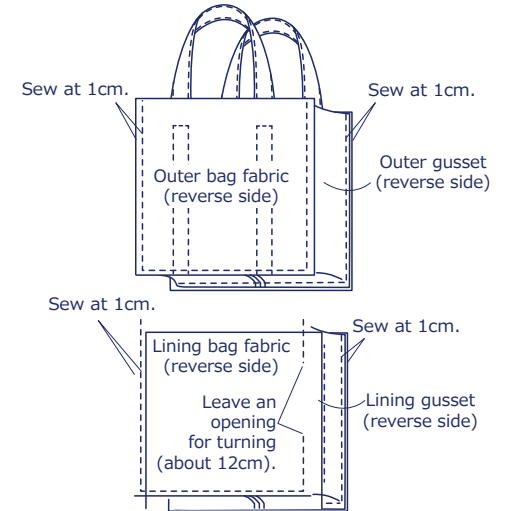
3. Make the handles and attach them to the bag outer fabric.



4. With the front sides facing each other, sew together the gusset at the bottom.



5. With the front sides facing each other, sew together the bag fabrics and gusset.



6. With the front sides facing each other, sew together the outer and lining bag fabrics at the top opening. Turn the bag inside out and run stitches around the top opening.

