



# Tied Handle Bag

Design & work: Ayumi Toda

Size: 22.5cm (l) 25cm (w) 22cm (d)

have fun with KOKKA fabric! produced by **KOKKA**

[kokka-fabric.com](http://kokka-fabric.com)

The craft projects and works featured in kokka-fabric.com are strictly for personal use and enjoyment. Please refrain from selling handmade items using the same exact design (including the pieces made in different fabrics) featured in kokka-fabric.com.

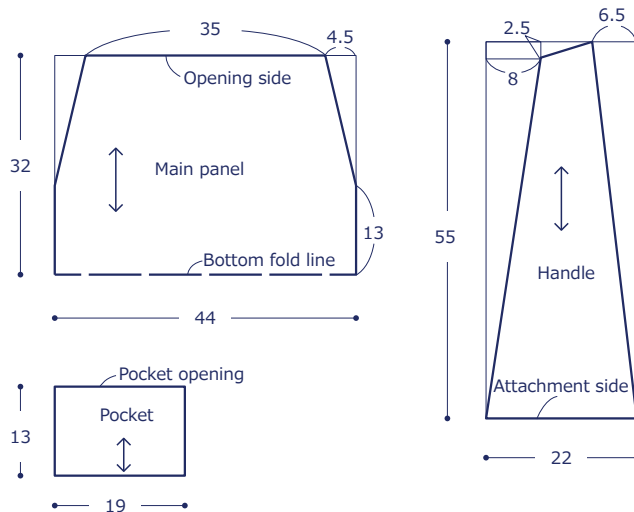
## Materials

- Fabric (Outer fabric): 110cm wide×80cm  
(Lining fabric, Pocket): 110cm wide×80cm
- Magnetic snap (Sew on type):  
One pair (1.5cm diameter)

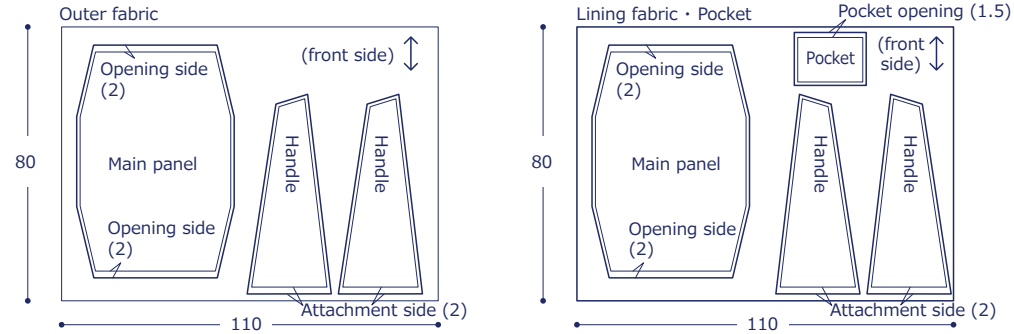
Fabric shown for this sample: (Outer fabric) tayutou JG50900-900C  
(Lining fabric) tayutou JG50810-10H

## Pattern

Unit: cm



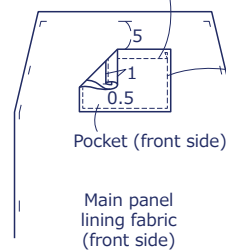
**Cutting Layout** Numbers in ( ) denote seam allowance. Add 1cm seam allowance unless specified otherwise. Careful with the direction of the handle.



## Instructions

### 1. Make the pocket

① Double fold the seam of the pocket opening and sew.



② Fold the seam of both sides and bottom. Attach the pocket to the main panel lining fabric.

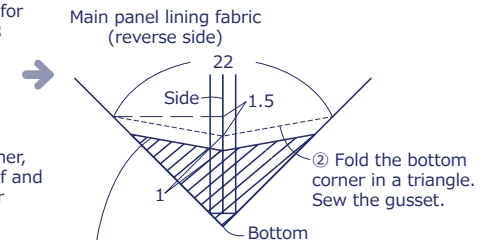
### 2. Make the lining bag



① With the front sides facing each other, fold the main panel lining fabric in half and sew both sides. (Leave an opening for turning on one side.)

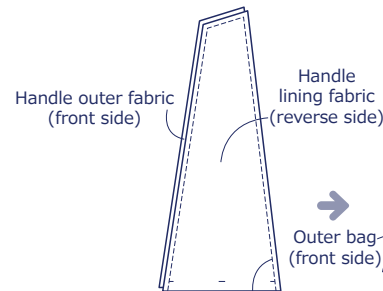
### 3. Make the outer bag

Repeat the process as in Step 2. (No need to leave an opening for turning.)



② Fold the bottom corner in a triangle. Sew the gusset.  
③ Cut off excess seam. Repeat the process on the other side.

### 4. Make the handle



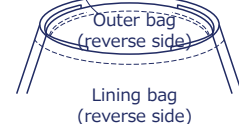
① With the front sides facing each other, sew together the outer and lining handle pieces, leaving the attachment side unsewn.

② Turn it inside out. Baste the handle to the side of the top opening of the outer bag.

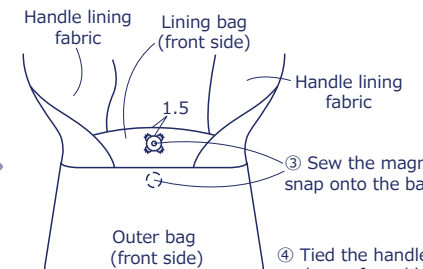
• Make two pieces.

### 5. Finish the bag

① With the front sides facing each other, sew together the outer and lining bags at the top opening.



② Turn it inside out, and close the opening.



③ Sew the magnetic snap onto the bag.

④ Tied the handle at the preferred length.