



Tote Bag with Diagonal Handles

Design & work: Kokka Fabric

Size: about 30cm (l)
about 50cm (w)
about 14cm (d - excluding handles)

Materials

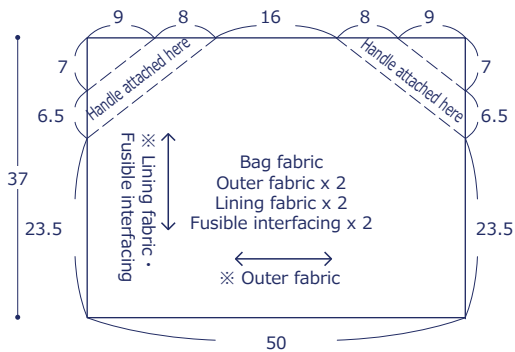
- Outer Fabric: 110cm wide x 60cm
- Lining Fabric: 110cm wide x 70cm
- Fusible interfacing (heavy weight): 110cm wide x 70cm

Fabric shown for this sample: (Outer Fabric)YK-51100-2B

Pattern and Cutting Layout

Unit: Centimeters (cm) []: seam allowance

Add 1cm seam allowance when cutting the fabric unless otherwise specified.



※ Adhere fusible interfacing on the back of outer bag fabric and handles.

have fun with KOKKA fabric! produced by **KOKKA**

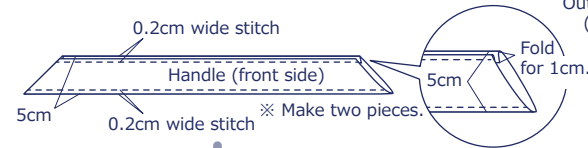
kokka-fabric.com

The craft projects and works featured in kokka-fabric.com are strictly for personal use and enjoyment. Please refrain from selling handmade items using the same exact design (including the pieces made in different fabrics) featured in kokka-fabric.com.

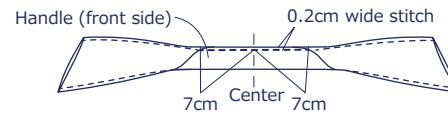
Instructions

1. Make the handles and attach them to the outer bag fabric

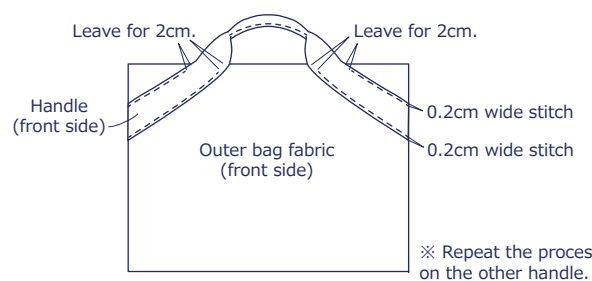
Fold the handle in four. Apply stitches on both longer ends.



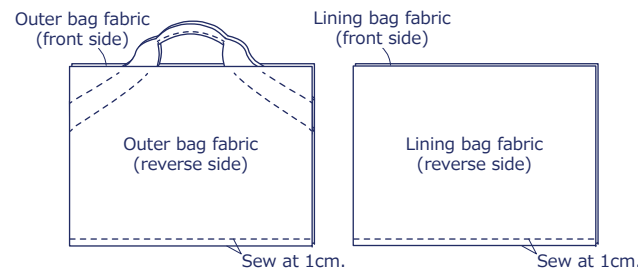
Fold the center of the handle in half and apply stitches.



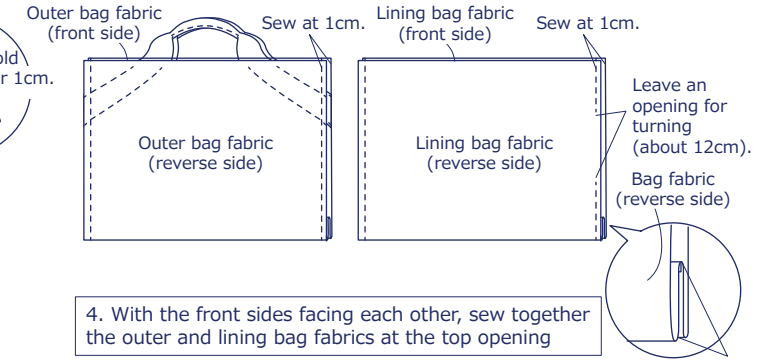
Attach the handle to the specified location.



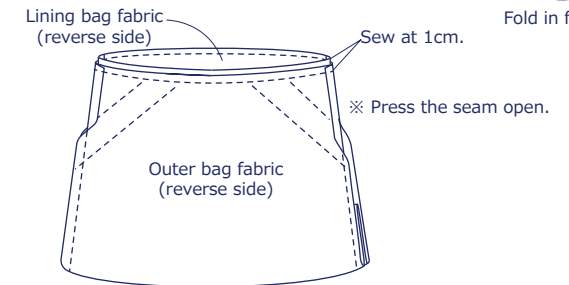
2. With the front sides facing each other, sew together the bag fabrics at the bottom.



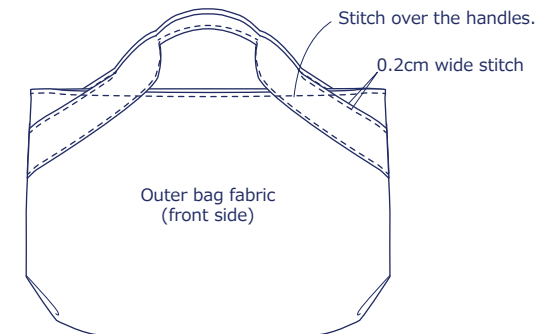
3. With the front sides facing each other, sew together the bag fabrics at the sides with folded gusset



4. With the front sides facing each other, sew together the outer and lining bag fabrics at the top opening



5. Turn the bag inside out and apply stitches at the top opening



※ Close the opening for turning.