



Clutch Bag

Design & work: Yui Tamaki

Size: (when opened) 42cm (l) x 37cm (w)

have fun with KOKKA fabric! produced by **KOKKA**

kokka-fabric.com

The craft projects and works featured in kokka-fabric.com are strictly for personal use and enjoyment.
Please refrain from selling handmade items using the same exact design (including the pieces made in different fabrics) featured in kokka-fabric.com.

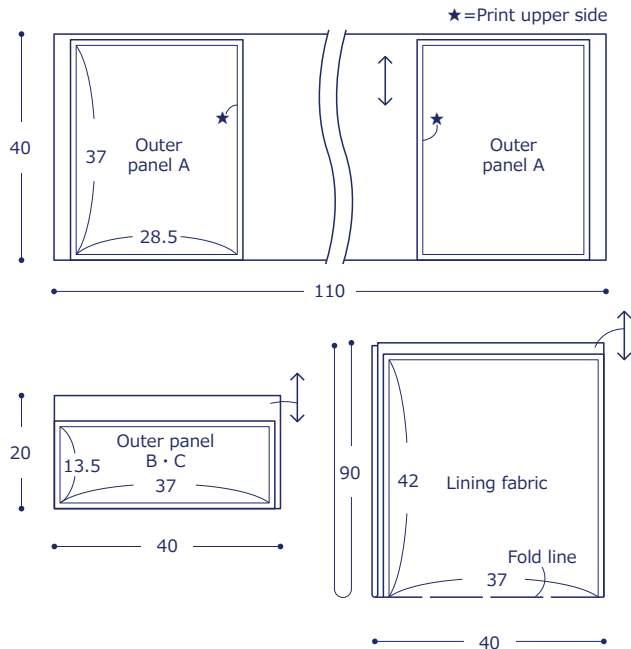
Materials

- Fabric (Outer panel A): 110cm wide x 40cm (Outer panel B (Print)): 40cm x 20cm (Outer panel C (Solid color)): 40cm x 20cm (Lining fabric (Canvas)): 90cm x 40cm
- Leather remnant: your preferred measurement (the sample is about 7cm wide x 30cm long)
- Fusible Interfacing: small piece
- Rivet: 5 pieces (0.9cm diameter)

Fabric shown for this sample: CAMEL-CRUNCH★Fabric H3140-1 (B)

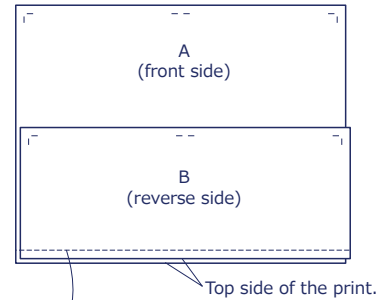
Pattern

All measurements are in centimeters (cm). All seam allowances are 1cm.



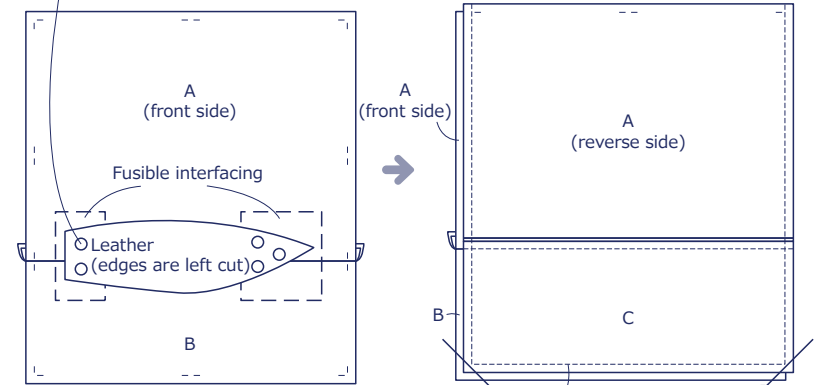
Instructions

1. Make the main part



① With the front sides facing each other, sew the long end. (Be careful with the direction of the print design.)

② Check the balance and attach the leather handle using rivets. (Adhere fusible interfacing on the back of outer fabric where the rivet will be attached.)

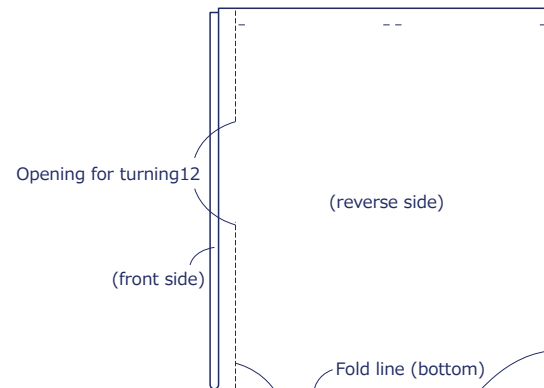


*Repeat the process ① for the other fabrics A and C.

② With the front sides facing each other, sew together at the sides and bottom, leaving the top opening.

④ Cut off the corner seam and turn the bag inside out.

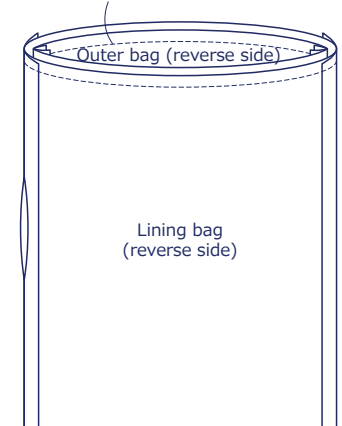
2. Make the lining bag



① With the front sides facing each other, fold in half and sew both ends. (Leave an opening for turning on one side.)

3. Sew together the outer and lining bags

① With the front sides facing each other, sew together the outer and lining bags at the top opening.



② Turn the bag inside out and close the opening. Align the shape to finish.