

Notebook Cover

Design & work created by Kanae Nakayama

Size: 26.5cm (l) 19cm (w) (B5 size)

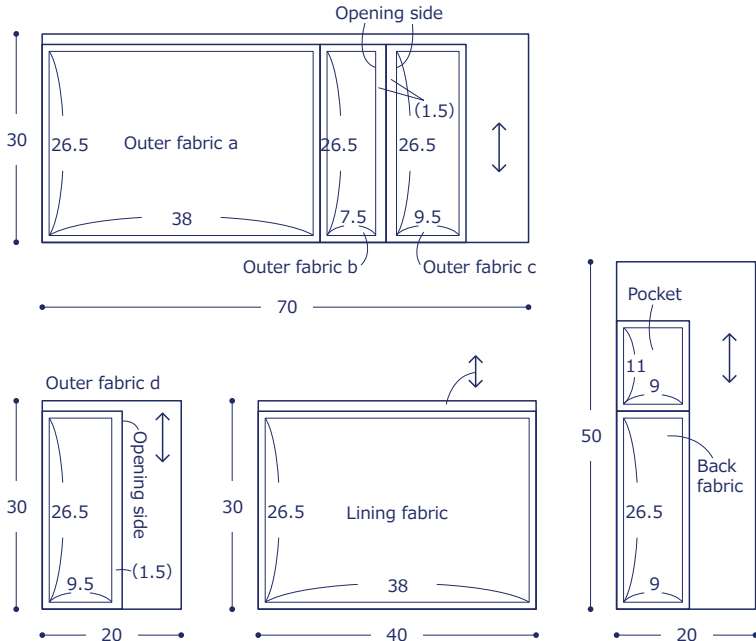
Materials

- Fabric (Outer fabric a, b, c): 70cm×30cm
(Outer fabric d (gingham check)): 20cm×30cm
(Pocket, Back fabric (stripe)): 20cm×50cm
(Lining fabric (polka dot)): 40cm×30cm

Fabric shown for this sample: HG2303-1 (B)

Pattern and Cutting Layout

All measurements are in centimeters (cm).
Numbers in () denote seam allowance.
Add 1cm seam allowance unless specified otherwise.



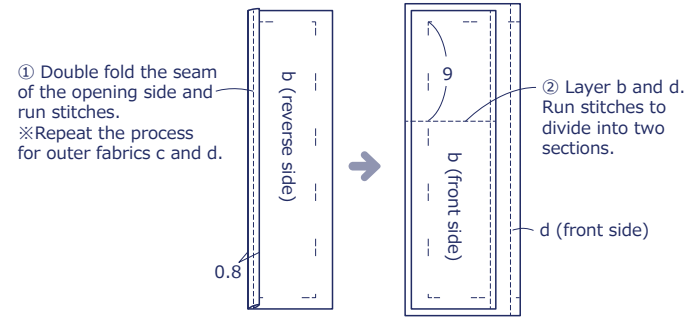
have fun with KOKKA fabric! produced by **KOKKA**

kokka-fabric.com

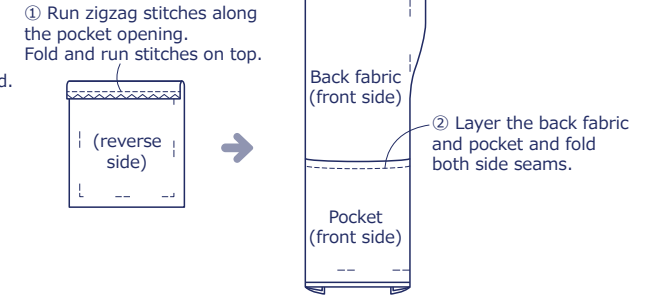
The craft projects and works featured in kokka-fabric.com are strictly for personal use and enjoyment.
Please refrain from selling handmade items using the same exact design (including the pieces made in different fabrics) featured in kokka-fabric.com.

Instructions

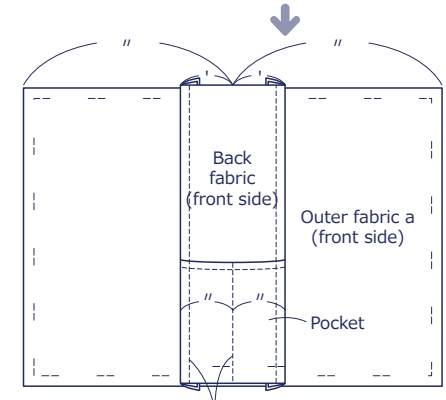
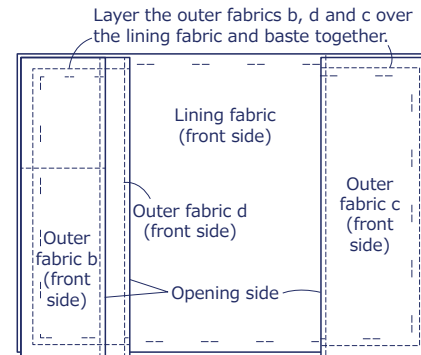
1. Make the outer fabric b, d and c.



2. Make the outer fabric a.



3. Make the lining fabric.



4. Sew together the outer fabric a and lining fabric.

