



Tube Stopper Bag

Design & work: Mioko Sugino

Size: bag 22cm (l) 30cm (w)

have fun with KOKKA fabric! produced by **KOKKA**

kokka-fabric.com

The craft projects and works featured in kokka-fabric.com are strictly for personal use and enjoyment.
Please refrain from selling handmade items using the same exact design (including the pieces made in different fabrics) featured in kokka-fabric.com.

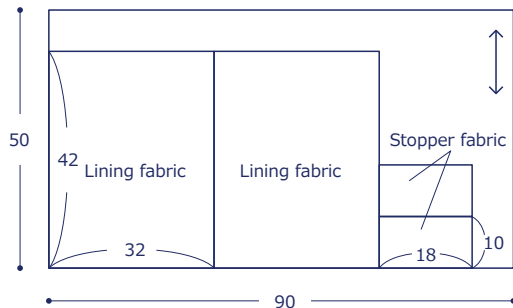
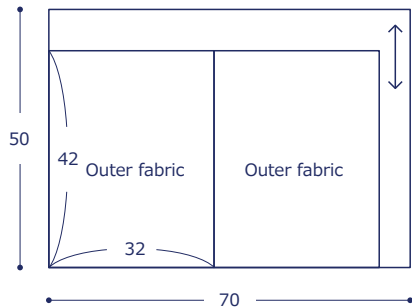
Materials

- Fabric (Outer fabric): 70cm×50cm
(Lining fabric, Stopper fabric): 90cm×50cm

Fabric shown for this sample: H11060-1B Opal Finishing Knit

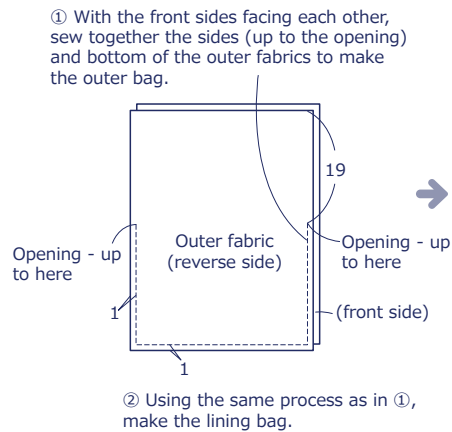
Pattern and Cutting Layout

Unit: Centimeters (cm) All raw edges.

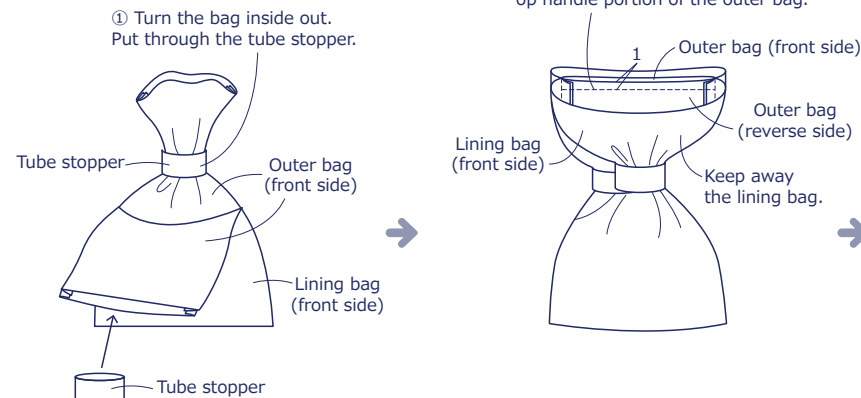


Instructions

1. Make the bag body.



3. Finish the bag.



2. Make the tube stopper.

