



# Drawstring Bag

Design & Work: Mioko Sugino

Size: 30cm (l) 24cm (w - at the top) 6cm (d)

have fun with KOKKA fabric! produced by **KOKKA**

[kokka-fabric.com](http://kokka-fabric.com)

The craft projects and works featured in kokka-fabric.com are strictly for personal use and enjoyment. Please refrain from selling handmade items using the same exact design (including the pieces made in different fabrics) featured in kokka-fabric.com.

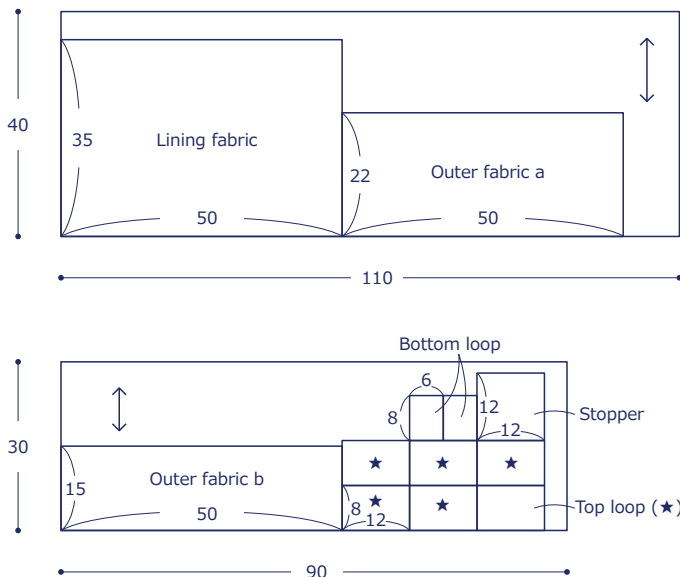
## Materials and tools

- Fabric (Outer fabric a, Lining fabric): 110cm wide×40cm (Outer fabric b, Loop, Stopper): 90cm×30cm
- Rope: 2m (1cm diameter)

Fabric shown for this sample:  
(Outer fabric a, Lining fabric) line drawing P45700-701A Canvas

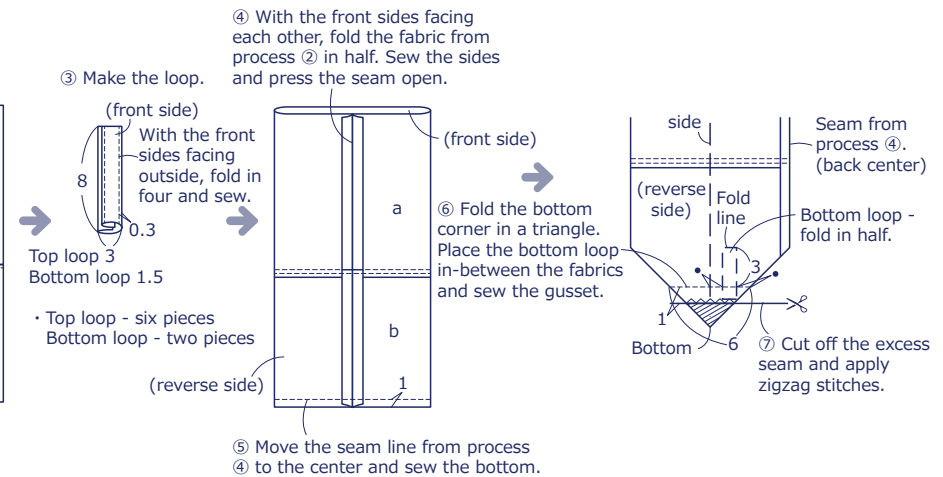
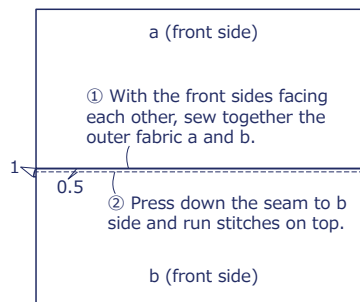
## Pattern and Cutting Layout

Unit: cm. All raw edge.



## Instructions

### 1. Make the outer bag.

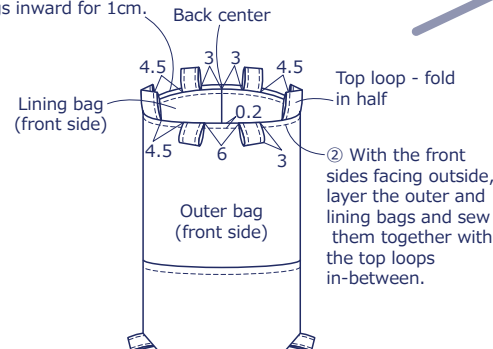


### 2. Make the lining bag.

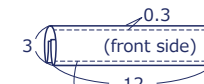
Repeat the same process with the lining fabric as in Step 1 ④~⑦. (No loop in process ⑥)

### 3. Finish the bag.

① Fold the top opening of both outer and lining bags inward for 1cm.

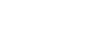


### ③ Make the stopper.



a. With the front sides facing outside, fold in four and sew.

b. Fold in half and sew.



c. Press the seam from b open and move to the center.

d. Turn it over.



e. Sew here.

