



Everyday Apron

Design & work: Anriko

Size: 65cm (apron length)

have fun with KOKKA fabric! produced by **KOKKA**

kokka-fabric.com

The craft projects and works featured in kokka-fabric.com are strictly for personal use and enjoyment. Please refrain from selling handmade items using the same exact design (including the pieces made in different fabrics) featured in kokka-fabric.com.

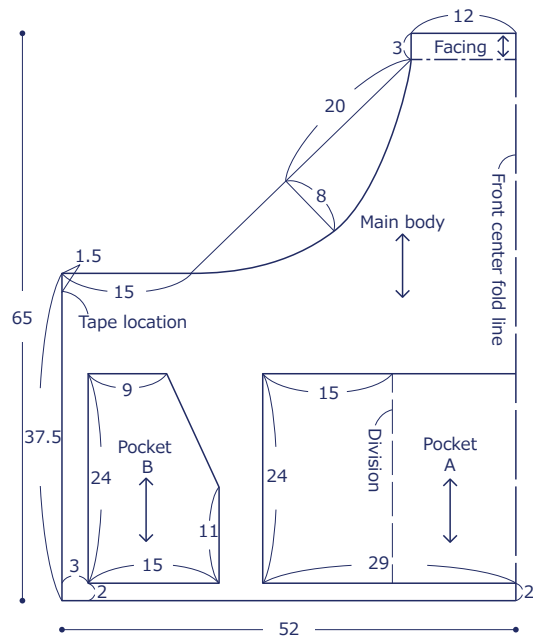
Materials

- Fabric: 110cm wide x 1m
- Twilled tape: 1.5m (width 2.5cm)
- Double folded bias binding tape: 1.5m (width 1.1cm)
- Snaps: One pair (diameter 1.3cm)
- Rivet: Two pairs (diameter 0.9cm)

Fabric shown for this sample: Animal world P46600-601B

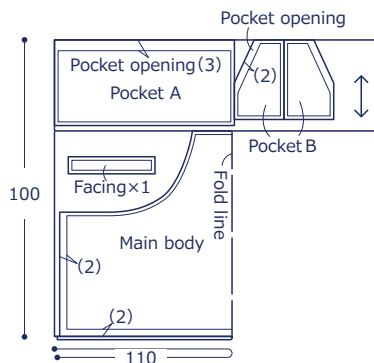
Pattern

Unit: cm

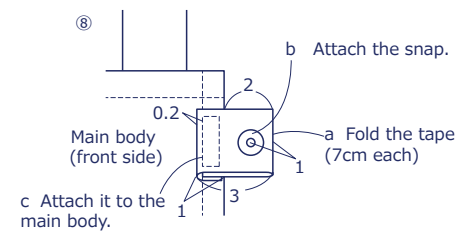
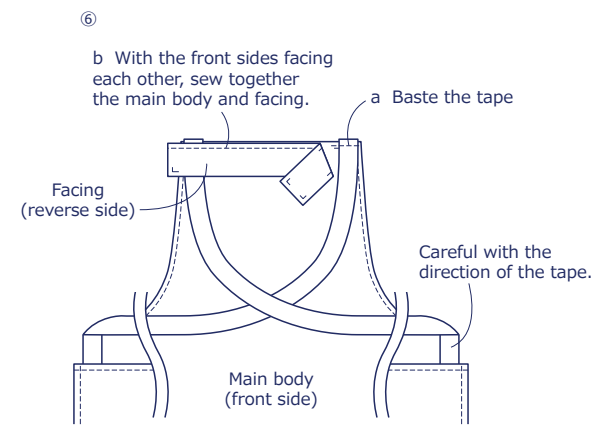
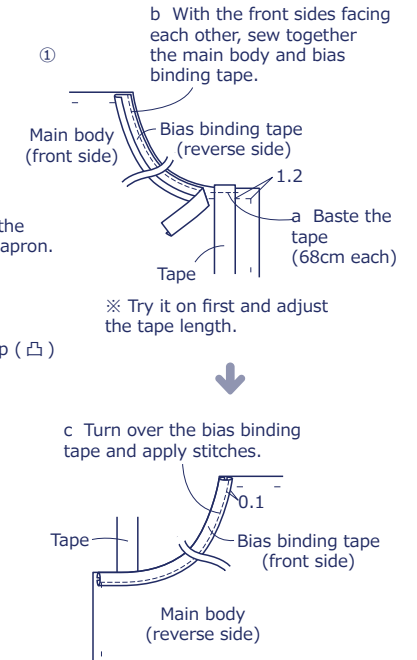
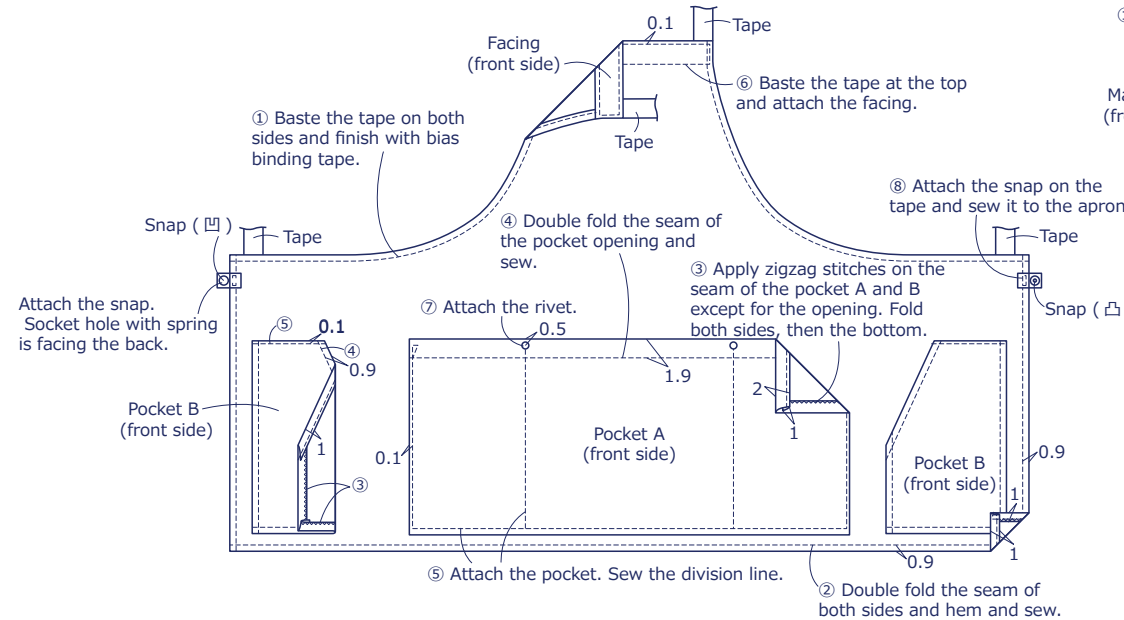


Pattern

Numbers in () denote seam allowance. Add 1cm seam allowance unless specified otherwise.



Instructions



c Fold the seam of the facing, first both sides and then bottom. Turn it over and sew.