



Tuck Tote with Large Gusset

Design & work: Yuki Inomata

Size: 30cm (l) 38cm (w)
15cm (gusset at the top) 18cm (bottom)

have fun with KOKKA fabric! produced by **KOKKA**

kokka-fabric.com

The craft projects and works featured in kokka-fabric.com are strictly for personal use and enjoyment. Please refrain from selling handmade items using the same exact design (including the pieces made in different fabrics) featured in kokka-fabric.com.

Materials

- Fabric (Outer fabric, Handle): 110cm wide×90cm
(Lining fabric): 55cm×80cm

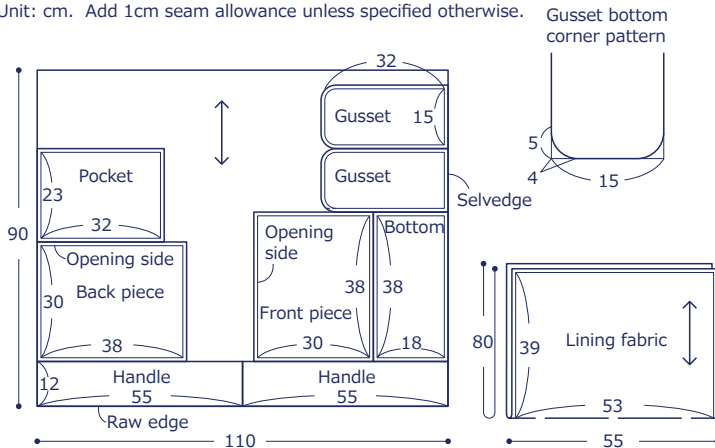
Fabric shown for this sample:

(Outer fabric) echino standard Bird Song JG90010-10D

(Lining fabric) echino standard Dot JG90010-14D

Pattern and Cutting Layout

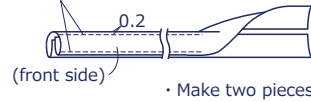
Unit: cm. Add 1cm seam allowance unless specified otherwise.



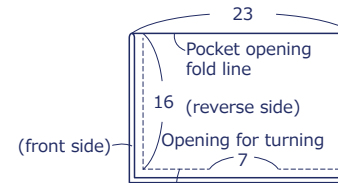
Instructions

1. Make the handle.

With the front sides facing outside, fold in four and sew the long ends.

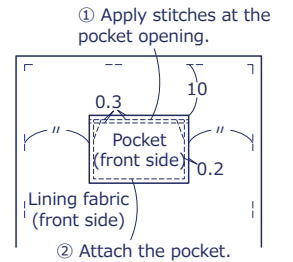


2. Make the pocket.



- ① With the front sides facing each other, fold in half. Sew the sides and bottom, leaving an opening for turning.
- ② Turn it inside out. Fold the seam of the opening inward.

3. Make the lining bag.

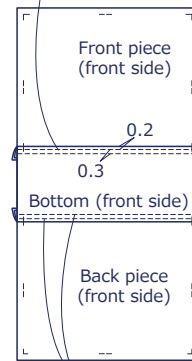


- ① Apply stitches at the pocket opening.

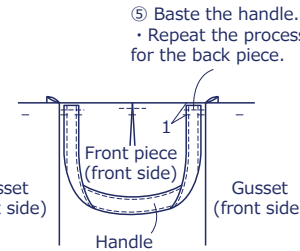
- ② Attach the pocket.

4. Make the outer bag.

- ① With the front sides facing each other, sew together the front piece, bottom and back piece.

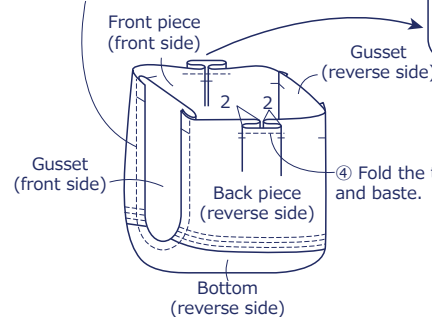


- ② Apply stitches.



- ⑤ Baste the handle.
• Repeat the process for the back piece.

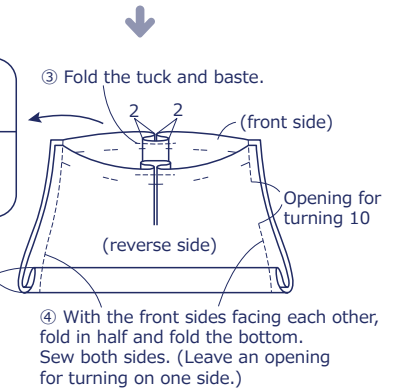
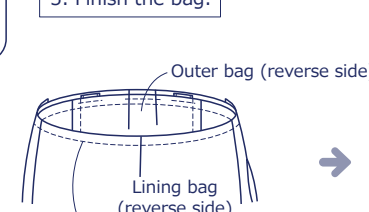
- ③ With the front sides facing each other, sew together the piece from process ② and gusset, except for at the top.



- ④ Fold the tuck and baste.

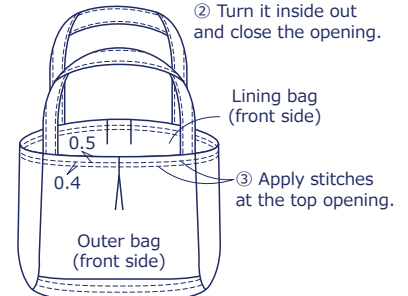
5. Finish the bag.

- ① With the front sides facing each other, sew together the outer and lining bags at the top opening. (The pocket side of the lining bag should be treated as the back side.)



- ③ Fold the tuck and baste.

- ④ With the front sides facing each other, fold in half and fold the bottom. Sew both sides. (Leave an opening for turning on one side.)



- ② Turn it inside out and close the opening.

Lining bag (front side)

- ③ Apply stitches at the top opening.

Outer bag (front side)