



# Wrap Skirt

Design & Work: Aiko Hada  
Size: Length 76cm

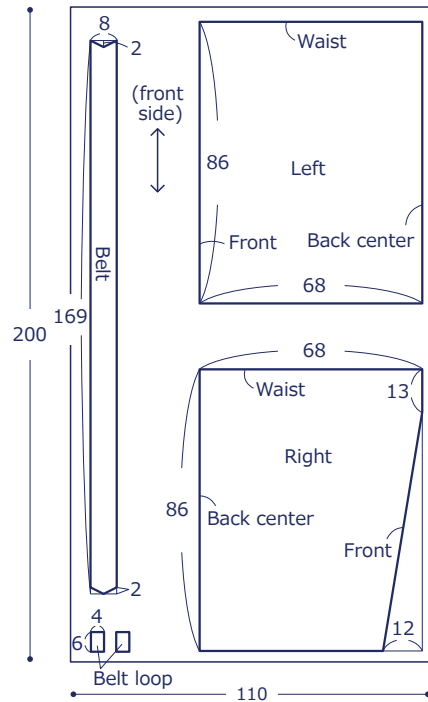
## Materials and Tools

- Fabric: 110cm wide x 2m
- Elastic tape: 1.5cm wide x 90cm
- Coat hook & Eye: Two pairs – Hook-1.7cm wide, Eye-2.8cm wide

Fabric shown for this sample: KESHIKI JG30003-1A Basket weave

## Pattern and Cutting Layout

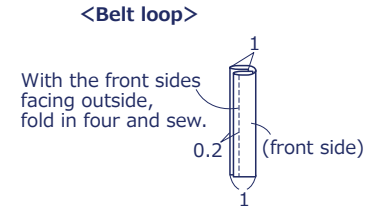
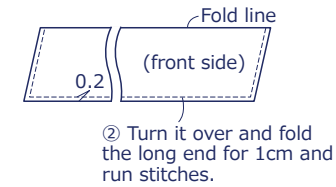
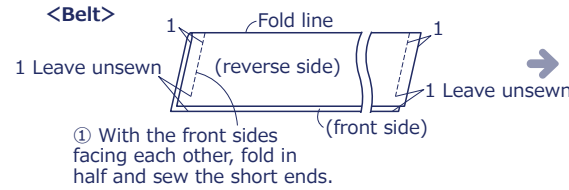
Unit: cm. All raw edge.



The craft projects and works featured in kokka-fabric.com are strictly for personal use and enjoyment. Please refrain from selling handmade items using the same exact design (including the pieces made in different fabrics) featured in kokka-fabric.com.

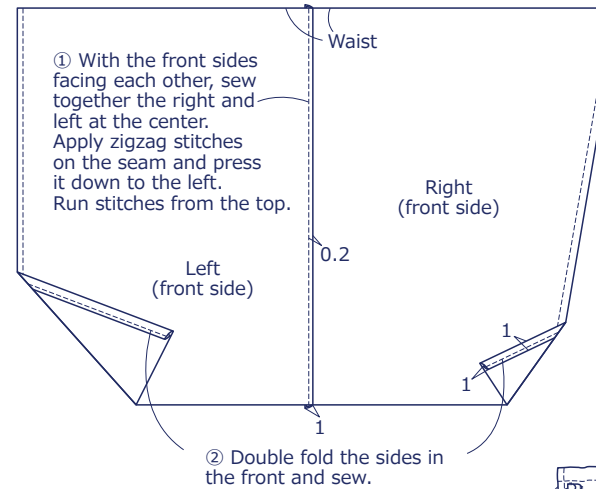
## Instructions

### 1. Make the belt and belt loop

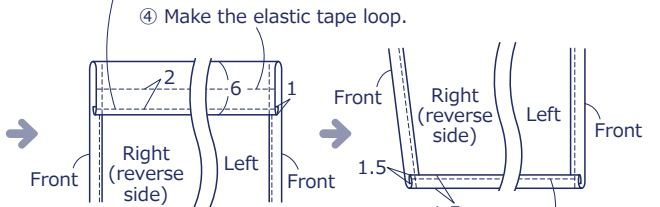


• Make two pieces.

### 2. Make the skirt

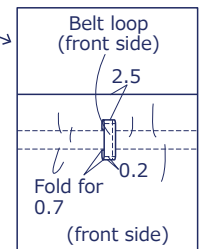
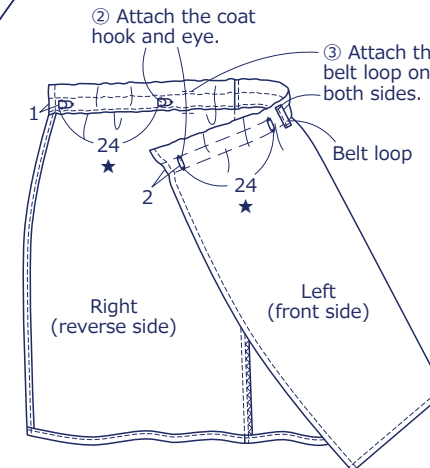
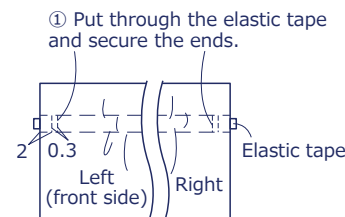


② Double fold the sides in the front and sew.



⑤ Double fold the hem and sew.

### 3. Finish the skirt



★=Measurement when the waist is tightened.  
※ Coat hook and eye location is shown as a reference. Try it on around your waist first and adjust the location based on your size.