



Smock Blouse

Finished Measurement : 58cm(W) x 77cm(L)

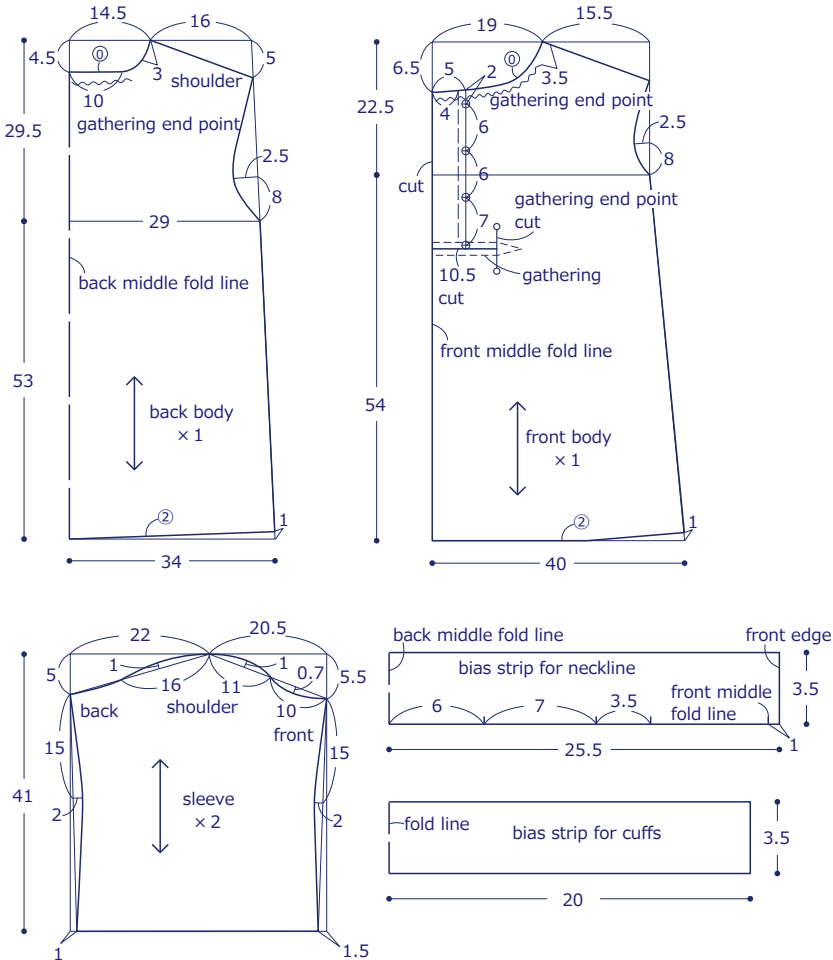
Materials

- Fabric 108cm(W) x 250cm(L)
- 4 Buttons of 1.1cm diameter

Fabric shown for this sample : Moku double gauze H4850-52 (A)

cutting layout

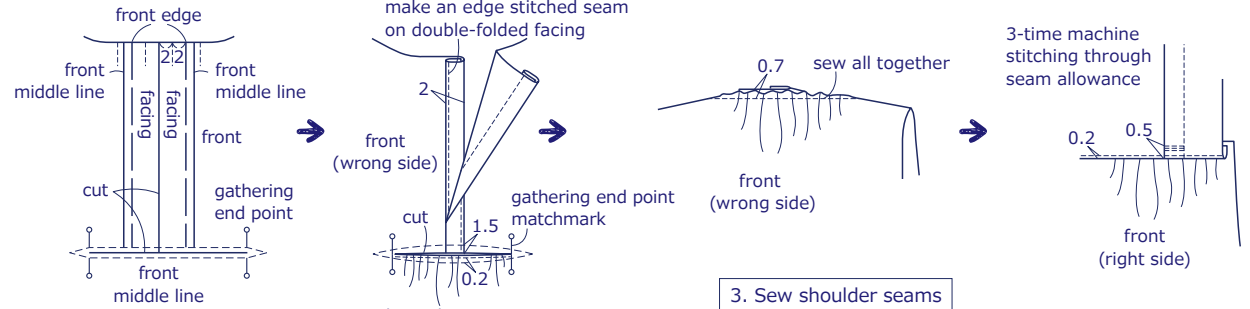
All seam allowances 1cm. Cut all pieces including seam allowances.
All measurements are in centimeters (cm).



INSTRUCTIONS

1. Make a front facing

Fold front facings twice and stitch on the back of it.



2. Make gathering and sew darts

Serge two seam edges together. Press the seam allowance backward and stitch.

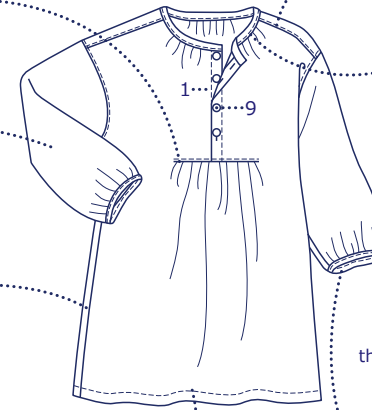
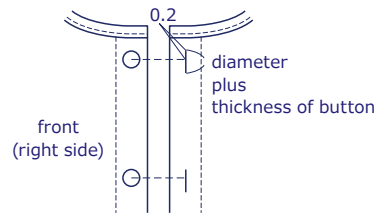
5. Attach sleeves

Serge two seam edges together. Press the seam allowance to body side and stitch.

6. Sew side seams from underarms to body

Sew two pieces together. Press the seam allowance backward.

9. Make buttonholes and sew buttons

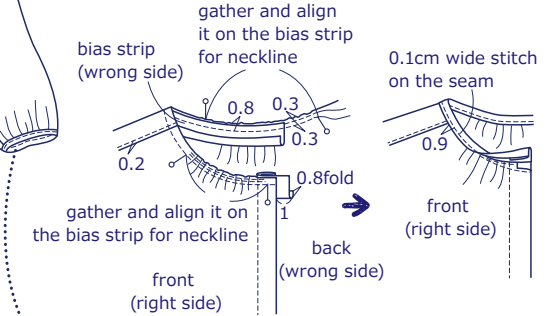


3. Sew shoulder seams

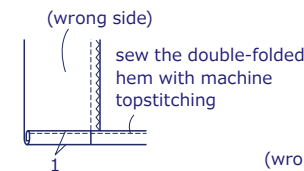
Serge two seam edges together. Press the seam allowance backward and stitch.

4. Make neckline

Gather and finish neckline with bias strip.



8. Fold hem up twice and stitch



7. Gather and finish cuffs with bias strips

