



# Furoshiki Bag

Design & work: Ayumi Toda (fabrica uka)

Size (when opened):

Size: 19cm (l) 20cm (w) 15cm (d)

have fun with KOKKA fabric! produced by **KOKKA**

[kokka-fabric.com](http://kokka-fabric.com)

The craft projects and works featured in kokka-fabric.com are strictly for personal use and enjoyment.  
Please refrain from selling handmade items using the same exact design (including the pieces made in different fabrics) featured in kokka-fabric.com.

## Materials

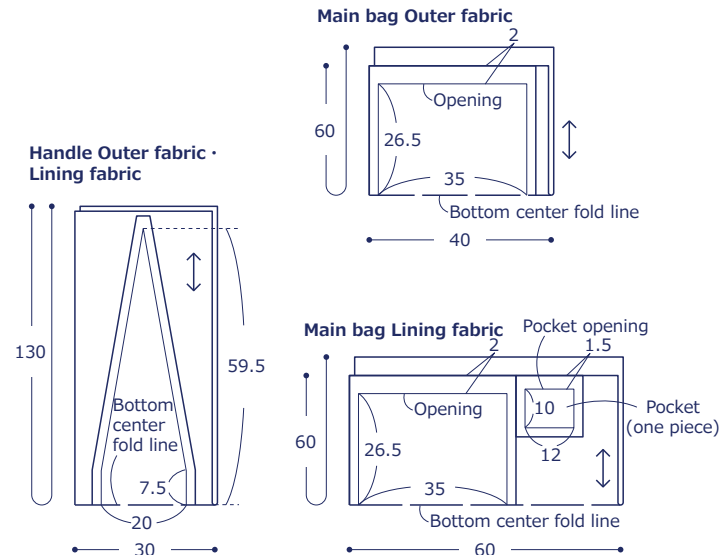
- Fabric  
 (Handle outer fabric) : 30cm×130cm  
 (Handle lining fabric) : 30cm×130cm  
 (Main bag outer fabric) : 40cm×60cm  
 (Main bag lining fabric, Pocket) : 60cm×60cm
- Fusible quilt batting: 40cm×60cm
- Magnetic Clasps (hook type): One pair (1.5cm diameter)

Fabric shown for this sample:

- (Handle outer fabric)tayutou hydrangea JG50800-801A
- (Handle lining fabric)tayutou JG50810-10E
- (Main bag outer fabric)tayutou JG50810-10B
- (Main bag lining fabric, Pocket)tayutou JG50810-10E

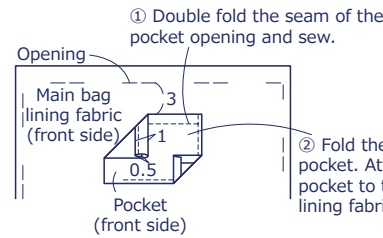
## Pattern and Cutting Layout

All measurements are in centimeters (cm).  
All seam allowances 1cm unless otherwise stated.

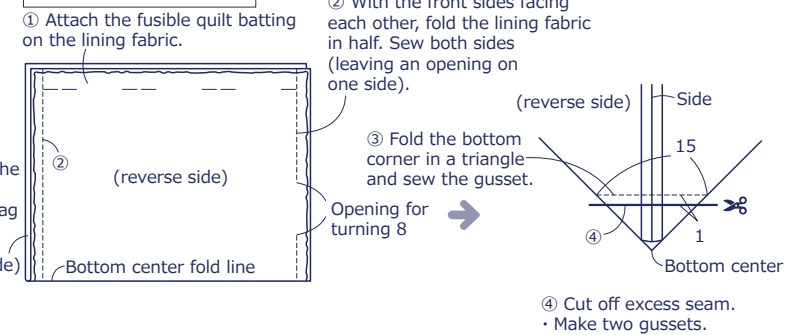


## Instructions

### 1. Make the pocket.

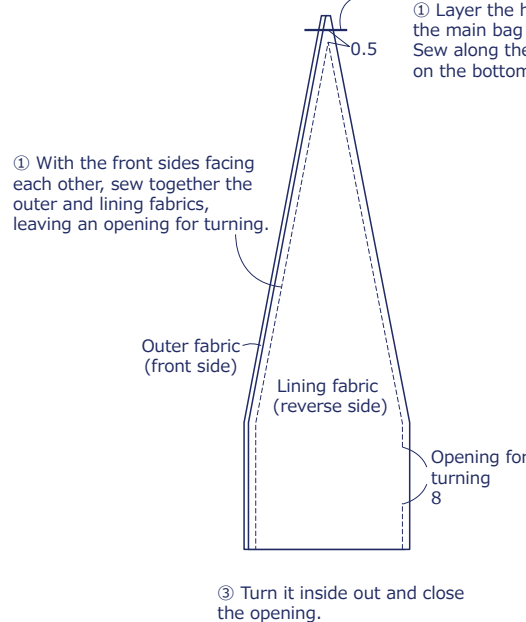


### 2. Make the lining bag.

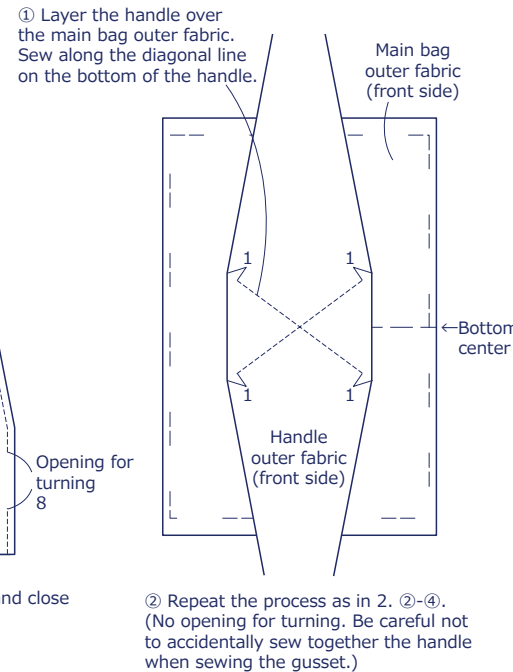


### 3. Make the handle.

② Cut off the seams at the top on both ends.



### 4. Make the outer bag.



### 5. Finish the bag.

