



Reversible Apron in French Bulldog Fabric

Design & work: Miki Yama

Size: about 90cm (Length, strap included)

have fun with KOKKA fabric! produced by **KOKKA**

kokka-fabric.com

The craft projects and works featured in kokka-fabric.com are strictly for personal use and enjoyment. Please refrain from selling handmade items using the same exact design (including the pieces made in different fabrics) featured in kokka-fabric.com.

Materials

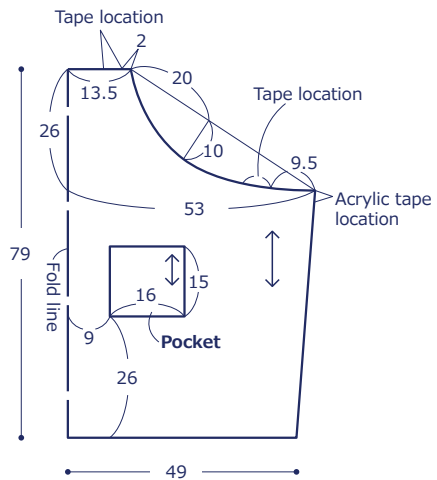
- Fabric (A): 110cm x 90cm
(B): 110cm x 90cm
- Tape: 1.6m (4cm width)
- Acrylic Tape: 2.2m (2cm width)
- Rhinestone (Iron-on type): about 40 (0.3cm diameter)
- Fusible tape (for basting)

Fabric shown for this sample: P43300-301 (B)

Pattern

All measurements are in centimeters (cm).

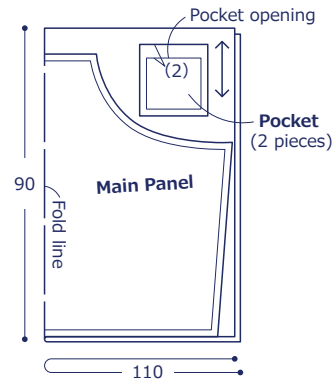
Main Panel



Cutting Layout

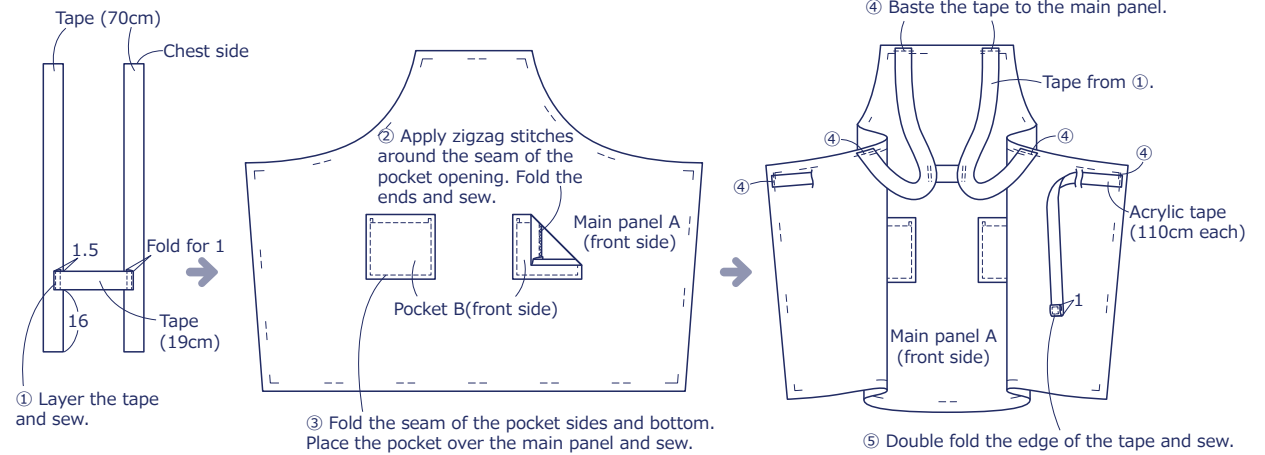
Numbers in () denote seam allowance. Add 1cm seam allowance unless specified otherwise.

Fabric A · B



Instructions

1. Make side A.



2. Make side B.

Make the main panel B and pocket A using the same process as in 1-2&3.

3. Finish the apron.

