



# Clutch Bag

Design & work: Kokka Fabric

Size: Maximum width - about 43cm,  
 Top opening - about 31cm  
 Height - about 19cm, Gusset - about 12cm

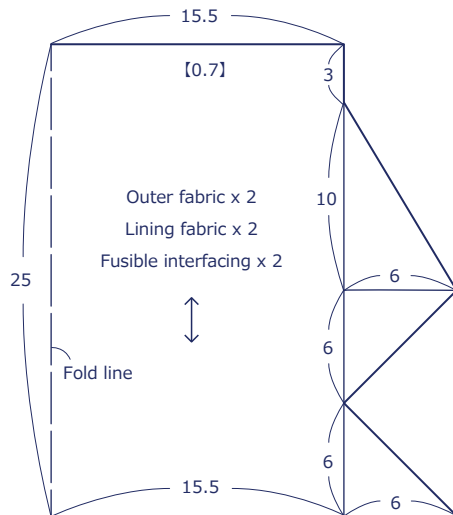
## Materials

- Outer fabric: 110cm widex30cm
- Lining fabric: 110cm widex30cm
- Fusible interfacing (heavy weight): 110cm widex30cm
- Zipper: 30cm x One piece

Fabric shown for this sample: P49700-700B

## Pattern

Unit: cm [ ]: Seam allowance.  
 Add 1cm seam allowance unless specified otherwise.



※ Adhere fusible interfacing on the back of the outer fabric.

have fun with KOKKA fabric! produced by **KOKKA**

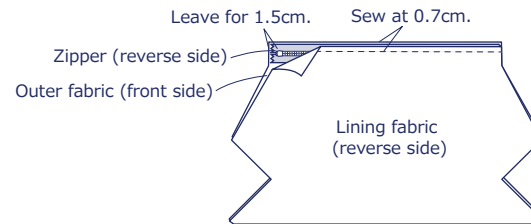
[kokka-fabric.com](http://kokka-fabric.com)

The craft projects and works featured in kokka-fabric.com are strictly for personal use and enjoyment. Please refrain from selling handmade items using the same exact design (including the pieces made in different fabrics) featured in kokka-fabric.com.

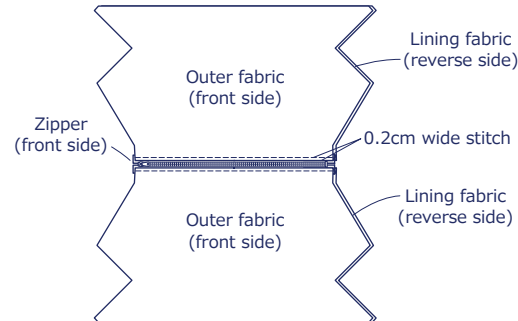
## Instructions

### 1. Attach the zipper

① With the front sides facing each other, put the outer and lining fabrics with the zipper in-between and sew together.

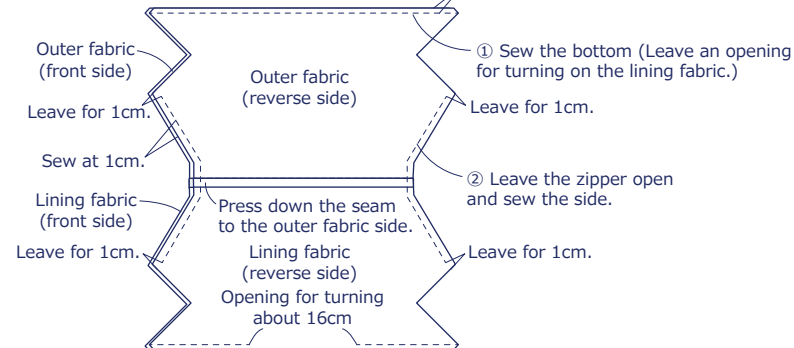


② Repeat the process and sew together the other outer fabric and lining fabric.



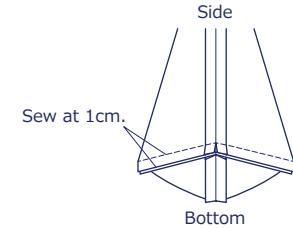
### 2. Sew together the outer and lining fabrics

With the front sides facing each other, sew together the outer fabric and lining fabric respectively at the sides and bottom.



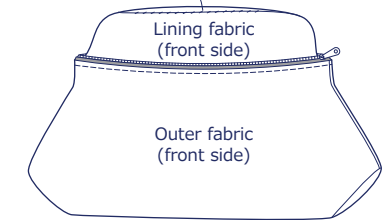
### 3. Sew the gussets

Sew the gussets on both outer and lining fabrics.



### 4. Turn it inside out and close the opening for turning

Turn it inside out and close the opening using blind stitches.



Align the shape and finish!

