



# Pouch with a Buckle

Design & work: Yui Tamaki

Size: 29cm (l)  
20cm (w - opening)  
16cm (w - bottom) 4cm (d)

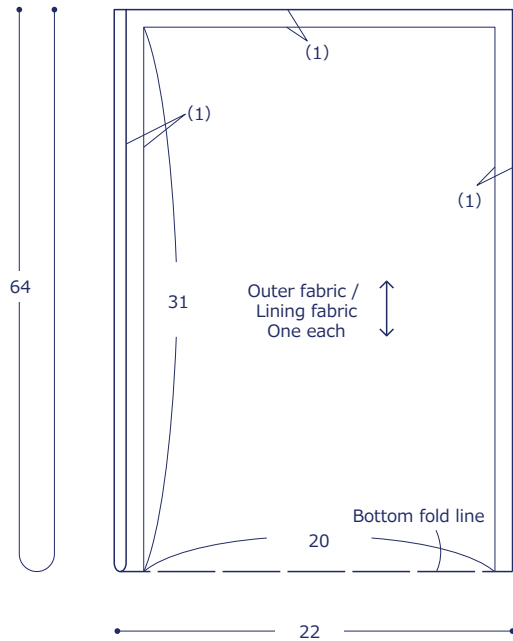
## Materials

- Fabric (Outer fabric): 22cm×64cm  
(Lining fabric): 22cm×64cm
- PP (Polypropylene) Band: 30cm (2cm wide)
- Buckle: One pair (for 2cm wide strap)
- Tag: One piece (6cm x 6cm)

Fabric shown for this sample: (Outer fabric) YK51130-1D

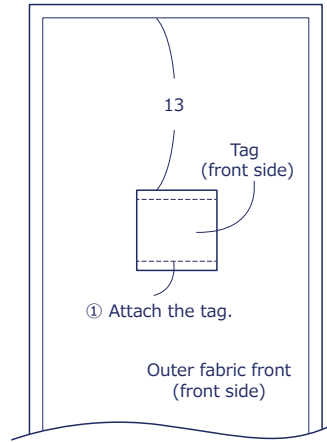
## Pattern

Unit: cm. Numbers in ( ) denote seam allowance.

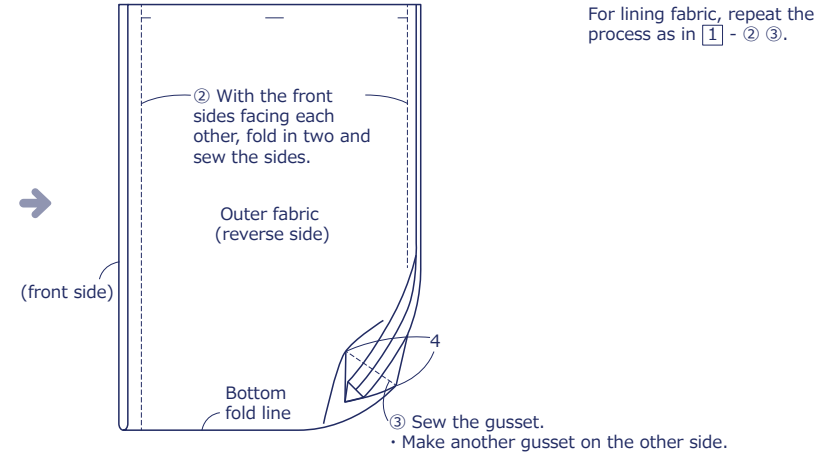


## Instructions

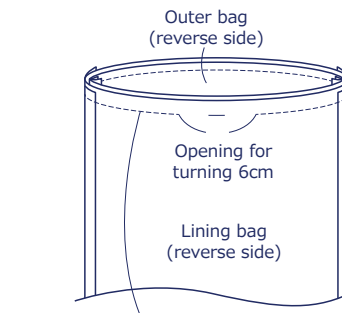
### 1. Make the outer bag



### 2. Make the lining bag

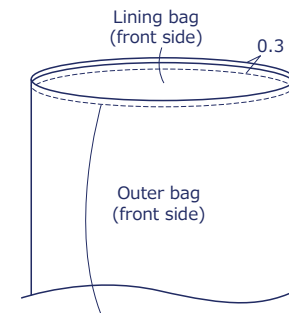


### 3. Sew together the outer and lining bags



### 4. Attach the buckle

① With the front sides facing each other, sew together the outer and lining bags at the top opening, leaving an opening for turning.



② Turn it inside out. Fold the seam of the opening for turning and run stitches from the front.

