



Mini Balloon Bag

Design & work: Kokka Fabric

Size: about 21cm (l)
 about 25.6cm (w)
 about 16.4cm (gusset)
 (exclude handles)

have fun with KOKKA fabric! produced by **KOKKA**

kokka-fabric.com

The craft projects and works featured in kokka-fabric.com are strictly for personal use and enjoyment. Please refrain from selling handmade items using the same exact design (including the pieces made in different fabrics) featured in kokka-fabric.com.

Materials and Tools

- Outer fabric A: 110cm wide x 30cm
- Outer fabric B: 110cm wide x 40cm
- Lining fabric: 110cm wide x 30cm
- Fusible interfacing (heavy): 110cm wide x 50cm

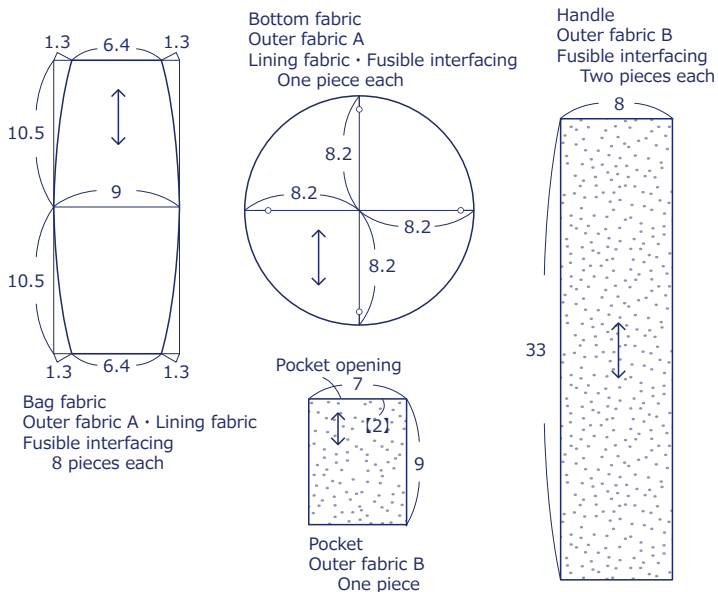
Fabric shown for this sample: (Outer fabric A) YK51020-2C
 (Outer fabric B) H-3020-1A

Pattern

Unit: cm. []:denote seam allowance.

Add 1cm seam allowance unless otherwise specified.

Please cut the fabric with all patterns laid out on the fabric.

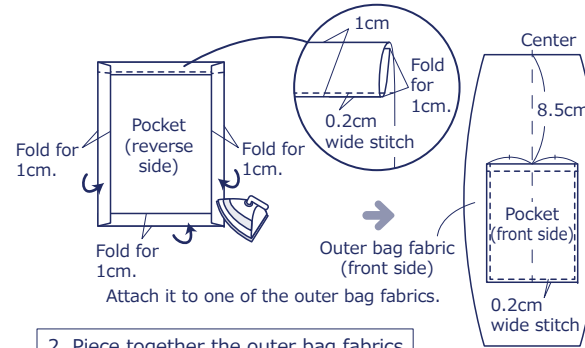


※ Adhere fusible interfacing on the bag of the outer bag fabric, outer bottom fabric and handles.

Instructions

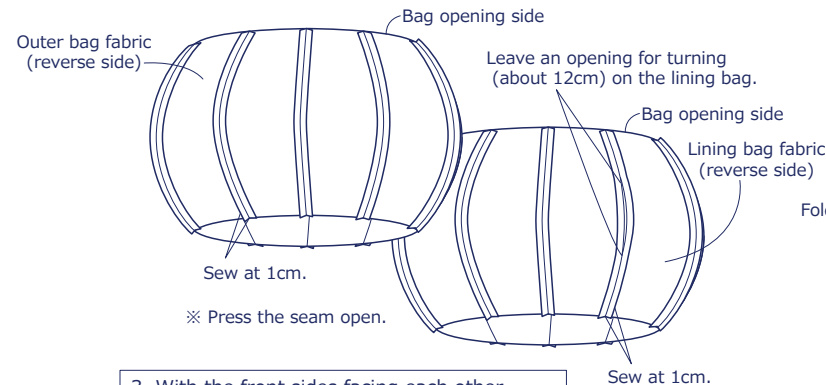
1. Make the pocket and attach it to the outer bag fabric

Fold the pocket opening in three and run stitches.
 Fold for 1cm all the way around.

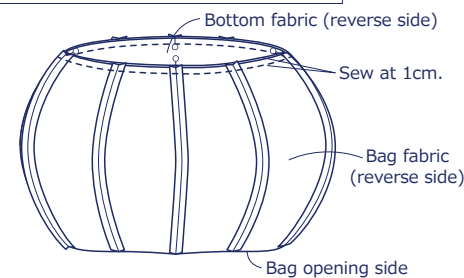


2. Piece together the outer bag fabrics

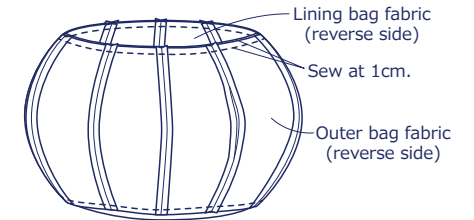
With the front sides facing each other,
 piece together eight outer bag fabrics.



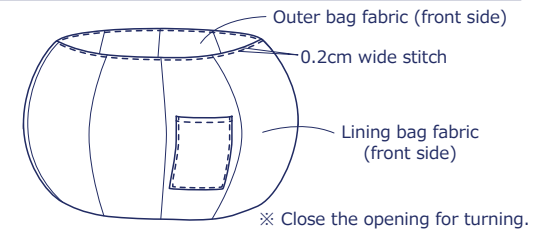
3. With the front sides facing each other, sew together the bag fabric and bottom fabric



4. With the front sides facing each other, sew together the outer and lining bag fabrics at the top opening



5. Turn it inside out and run stitches around the top opening

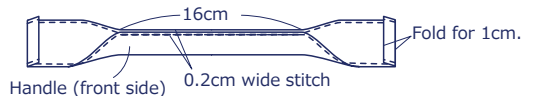


6. Make the handles and attach them to the bag fabric

Fold the handles based on the final dimension and apply stitches.



Fold the center of the handle in half and run stitches.



Attach it to
 the bag fabric.

