



# Balloon Bag

Design & work: Kokka Fabric

Size: about 30cm (l)  
about 36cm (w)  
about 23cm (exclude handles)

have fun with KOKKA fabric! produced by **KOKKA**

[kokka-fabric.com](http://kokka-fabric.com)

The craft projects and works featured in kokka-fabric.com are strictly for personal use and enjoyment. Please refrain from selling handmade items using the same exact design (including the pieces made in different fabrics) featured in kokka-fabric.com.

## Materials

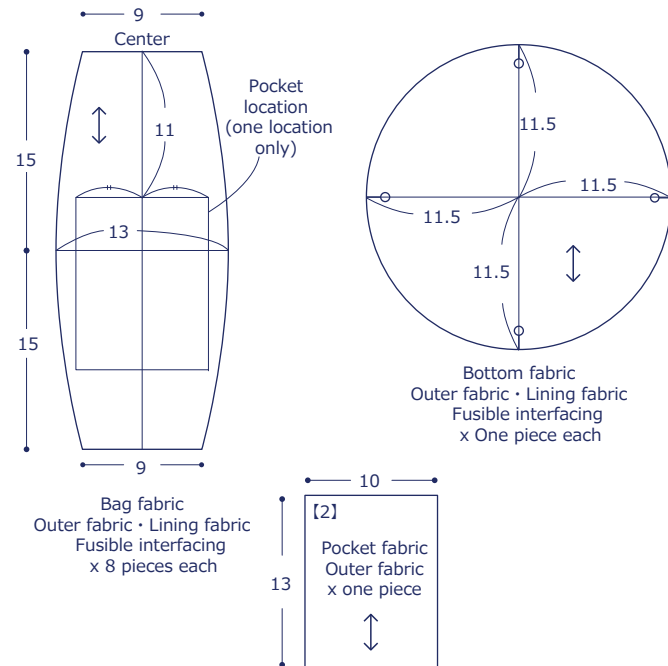
- Outer fabric: 110cm wide×70cm
- Lining fabric: 110cm wide×70cm
- Fusible interfacing (heavy weight): 110cm wide x 70cm
- Flat tape: 4.5cm wide×70cm

Fabric shown for this sample: EKX-5003-2B

## Pattern & Cutting Layout

Unit: cm. [ ]:denote seam allowance.

Add 1cm seam allowance unless otherwise specified.

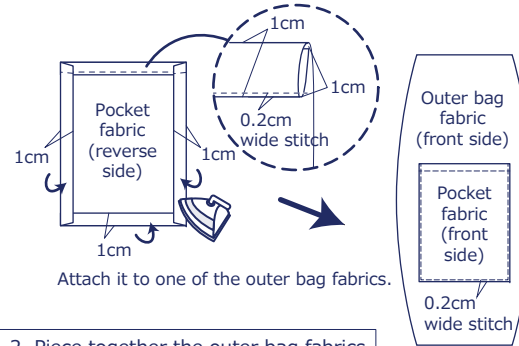


※ Adhere fusible interfacing on the back of the outer bag fabric and outer bottom fabric.

## Instructions

### 1. Make the pocket and attach it to the outer bag fabric

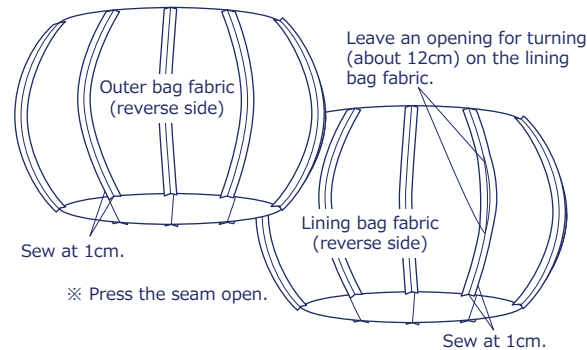
Fold the pocket opening in three and run stitches. Fold for 1cm all the way around.



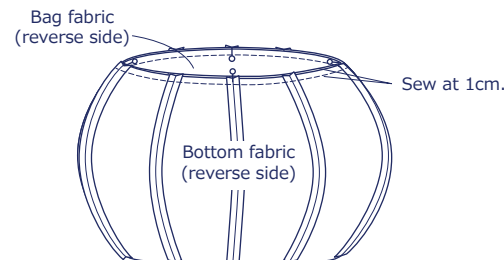
Attach it to one of the outer bag fabrics.

### 2. Piece together the outer bag fabrics

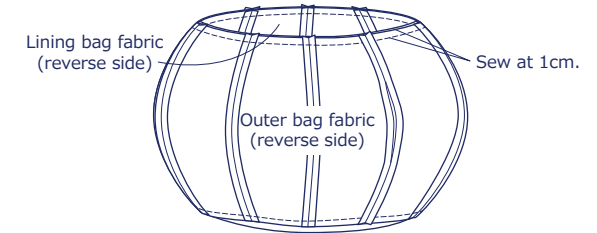
With the front sides facing each other, piece together eight outer bag fabrics.



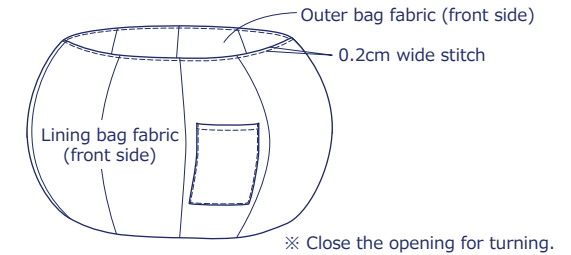
### 3. With the front sides facing each other, sew together the bag fabric and bottom fabric



### 4. With the front sides facing each other, sew together the outer and lining bag fabrics at the top opening

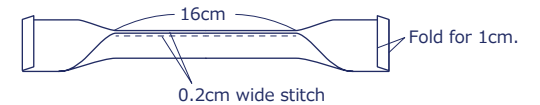


### 5. Turn it inside out and run stitches around the top opening



### 6. Make the handles and attach them to the bag fabric

Cut the handle tape to 35cm each. (two pieces)  
Fold the center of the handle in half and run stitches.



Attach handles to the bag fabric.

