



# Twist Pochette

Design & work: Anriko

Size: 27cm (l) 27cm (w) 5cm (d)

have fun with KOKKA fabric! produced by **KOKKA**

[kokka-fabric.com](http://kokka-fabric.com)

The craft projects and works featured in kokka-fabric.com are strictly for personal use and enjoyment. Please refrain from selling handmade items using the same exact design (including the pieces made in different fabrics) featured in kokka-fabric.com.

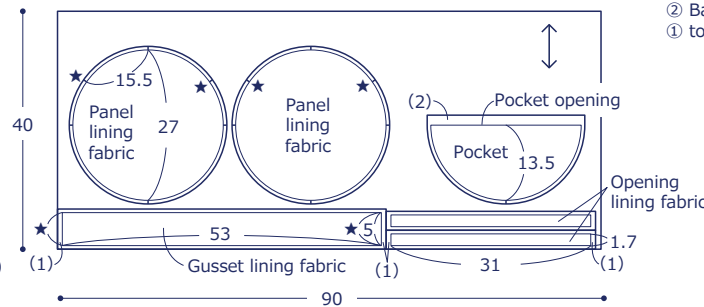
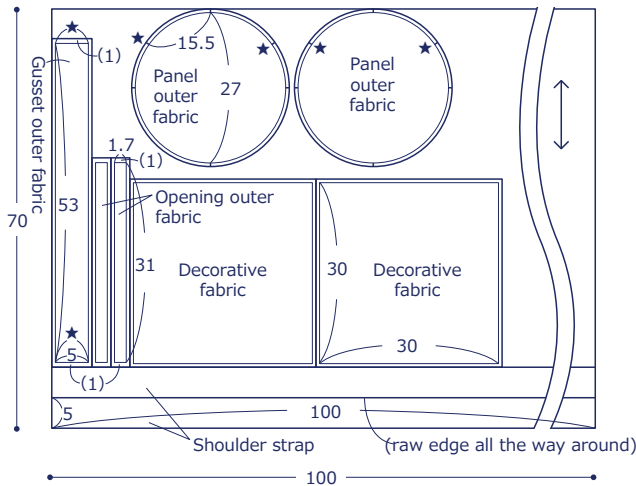
## Materials

- Fabric (Outer fabric, Decorative fabric, Shoulder strap): 100cm x 70cm (Lining fabric, Pocket): 90cm x 40cm
- Zipper: One piece (30cm long)

Fabric shown for this sample: (Outer fabric, Decorative fabric, Shoulder strap) PIKKU SAARI EJX-4002-1A

## Pattern and Cutting Layout

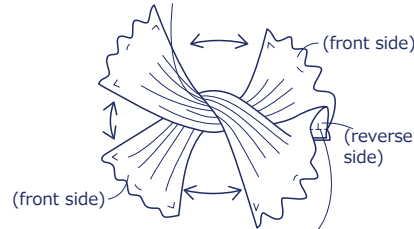
Unit: cm. ( ) denote seam allowance.  
Add 0.7cm seam allowance unless otherwise specified.



## Instructions

### 1. Make the decorative fabric

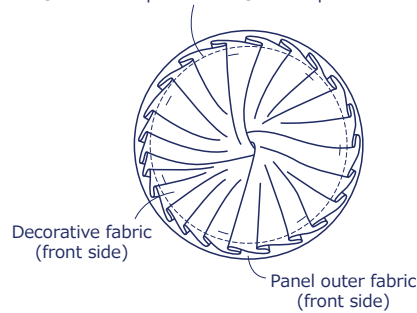
- ① Check the balance and apply accordion-fold. Cross the fabric.



- ② With the front sides facing each other, put together the ends that are next to each other and apply stitches to the center as far as you can go.



- ③ Baste the piece from ② to the panel outer fabric.



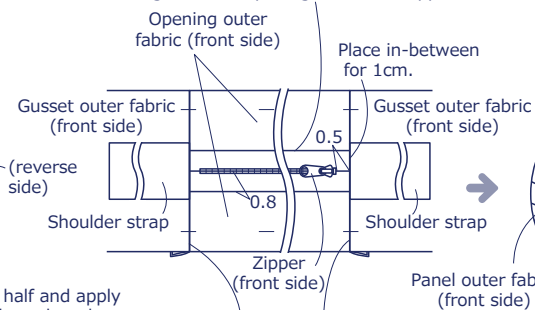
### 2. Make the shoulder strap



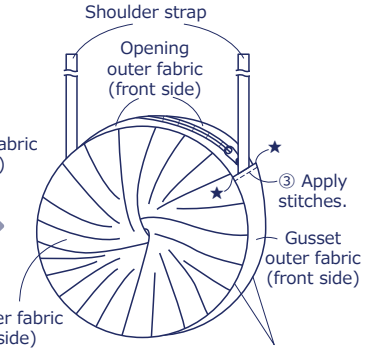
- ① Fold in half and apply stitches along the edge except the attachment side.
- ② Turn it inside out.
  - Make two pieces.

### 3. Make the outer bag

- ① With the front sides facing each other, sew together the opening fabric and zipper.



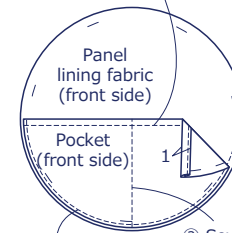
- ② With the front sides facing each other, sew together the piece from ① and gusset with the shoulder strap in-between.



- ④ Open the zipper. With the front side facing each other, sew together the piece from ③ and panel fabrics. Turn it inside out.

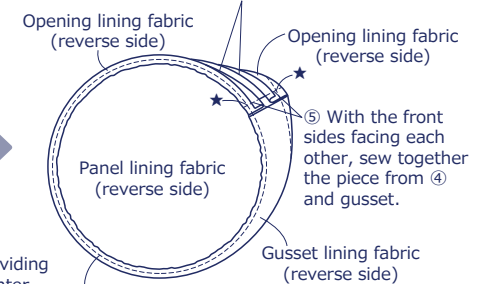
### 4. Make the lining bag

- ① Fold the seam of the pocket opening in three and sew.



- ② Baste the piece from ① to the panel lining fabric.

- ④ Fold the seam of the opening (zipper attachment side).



- ⑥ With the front sides facing each other, sew together the piece from ⑤ and panel.

### 5. Finish the bag

With the front sides facing outside, sew together the outer bag and lining bag using blind stitches.

