



Tunic Top

Design & work: Kokka Fabric

Size: Free

have fun with KOKKA fabric! produced by KOKKA

kokka-fabric.com

The craft projects and works featured in kokka-fabric.com are strictly for personal use and enjoyment. Please refrain from selling handmade items using the same exact design (including the pieces made in different fabrics) featured in kokka-fabric.com.

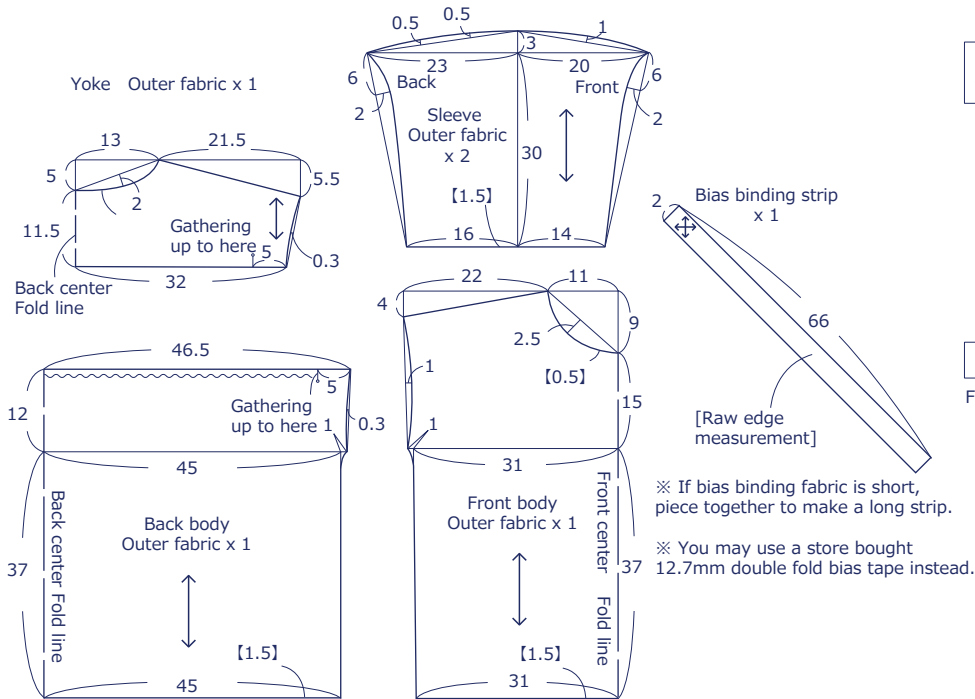
Materials

□ Fabric: 108cm wide x 180cm

Fabric shown for this sample: YKA-59090-2B

Pattern

Unit: cm []: Seam allowance.
Add 1cm seam allowance unless specified otherwise.

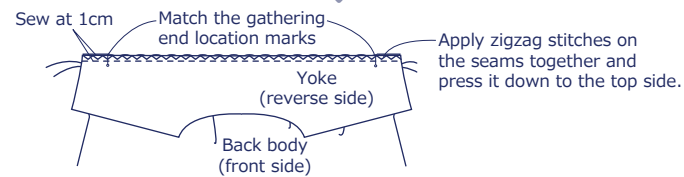
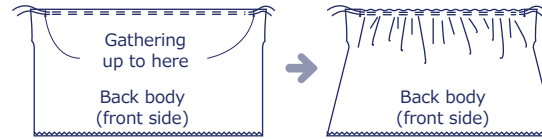


Instructions

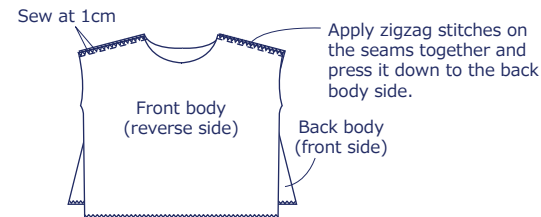
1. Apply zigzag stitches on the front and back body hems

2. Apply gathering on the back body. With the front sides facing each other, sew together with the yoke

Run rough stitches up to the end of the gathering.
Pull the thread to create the gathering.



3. With the front sides facing each other, sew together the front body and back body at the shoulder



4. Finish the neckline with bias binding strip

Fold both ends of the bias binding strip for 0.5cm using an iron.

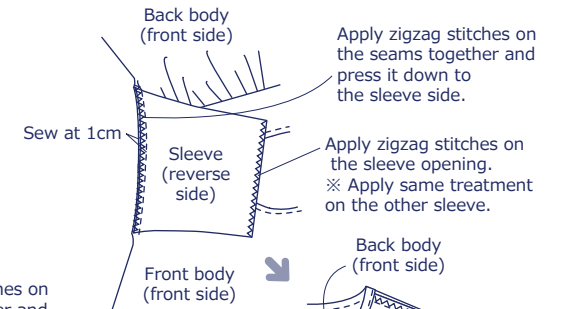


With the front sides facing each other, sew together the body and bias binding strip.



Bias binding strip (cut off excess strip)

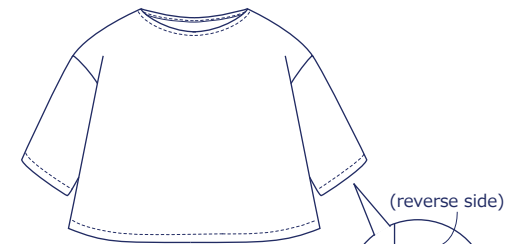
5. With the front sides facing each other, sew together the sleeves and body



Sew the sides with 1cm seam, starting from the sleeve opening all the way to the hem. Finish the seam together and press it down to the back body side.

※ Apply same treatment on the other side.

6. Double fold the sleeve opening and hem and sew to finish



Fold the bias binding strip inward and apply stitches.

