



Gathered Waist Blouse

Design & work: Kokka Fabric

Size: M

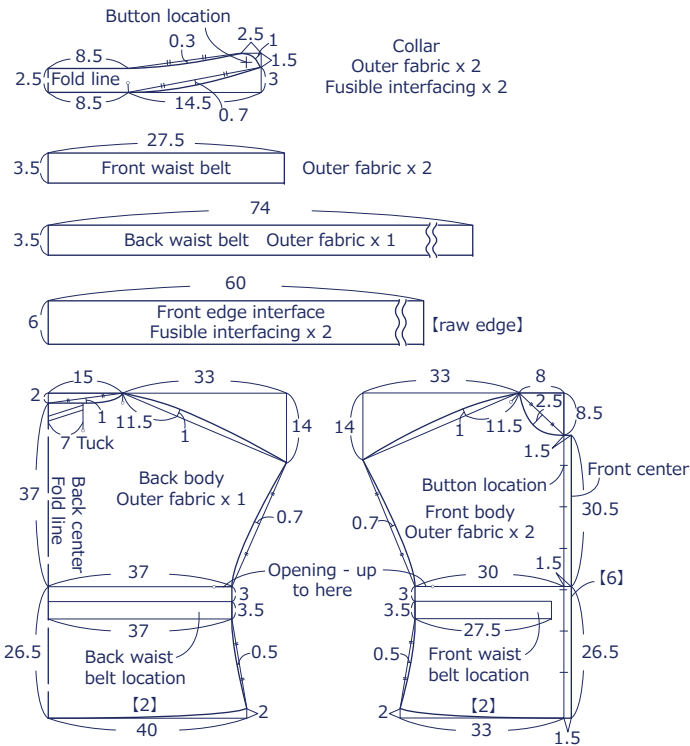
Materials

- Fabric (Outer fabric): about 110cm wide × 160cm
- Fusible interfacing (light weight) about 90cm wide × 30cm
- Button: 7 pieces (about 11.5mm diameter)
- Ribbon: about 1cm wide × 190cm

Fabric shown for this sample: LG19110-2A

Pattern and Cutting Layout

Unit: cm. Seam Allowance: 1cm.



※ Adhere fusible interfacing on the back of the collar and front edge of the front body.

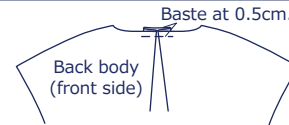
have fun with KOKKA fabric! produced by KOKKA

kokka-fabric.com

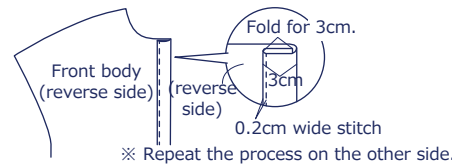
The craft projects and works featured in kokka-fabric.com are strictly for personal use and enjoyment. Please refrain from selling handmade items using the same exact design (including the pieces made in different fabrics) featured in kokka-fabric.com.

Instructions

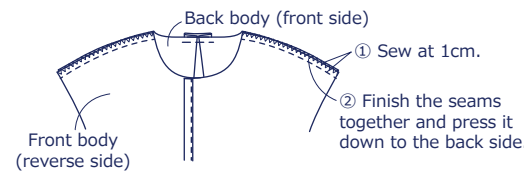
1. Fold and baste the tuck on the back body



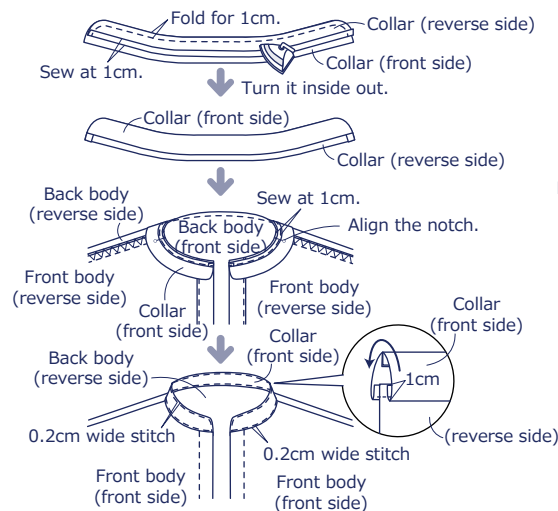
2. Fold the front edge in three and run stitches



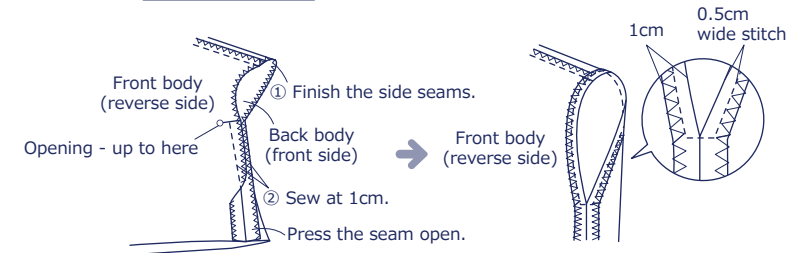
3. With the front sides facing each other, sew together the front and back bodies at the shoulder



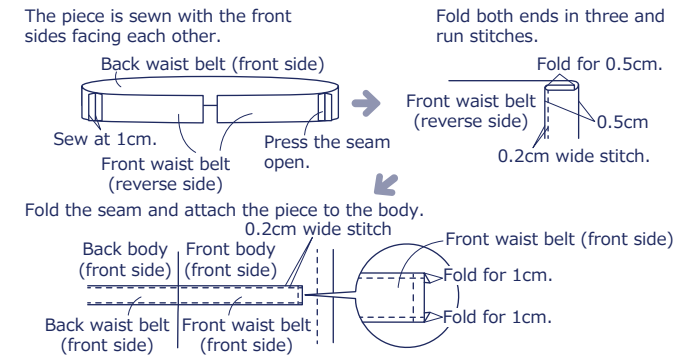
4. Make the collar and piece it together with the body



5. Sew the sides



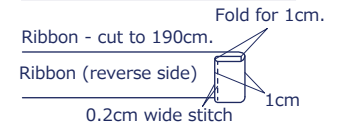
6. Create the loop for the ribbon and attach it to the body



7. Fold the hem in three and run stitches



9. Put the ribbon through the waist belt loop to finish



8. Make button holes in the front center. Attach buttons

