



Two-Way Bag

Design & work: Mioko Sugino

Size: 34cm (l) 34cm (w)

have fun with KOKKA fabric! produced by KOKKA

kokka-fabric.com

The craft projects and works featured in kokka-fabric.com are strictly for personal use and enjoyment. Please refrain from selling handmade items using the same exact design (including the pieces made in different fabrics) featured in kokka-fabric.com.

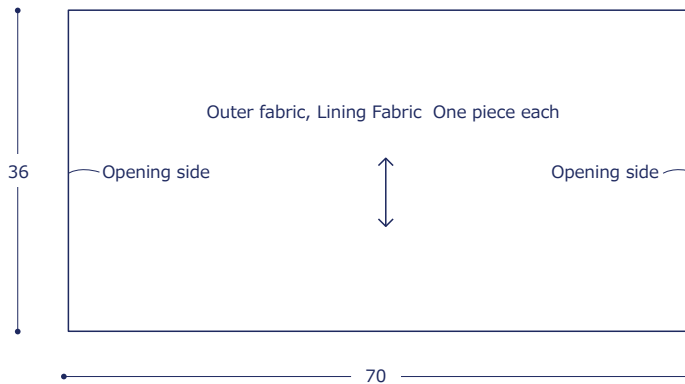
Materials

- Fabric (Outer fabric): 70cm×36cm
(Lining fabric): 70cm×36cm
- Tape: 3cm wide×148cm

Fabric shown for this sample: (Outer fabric) EKX-97010-11B

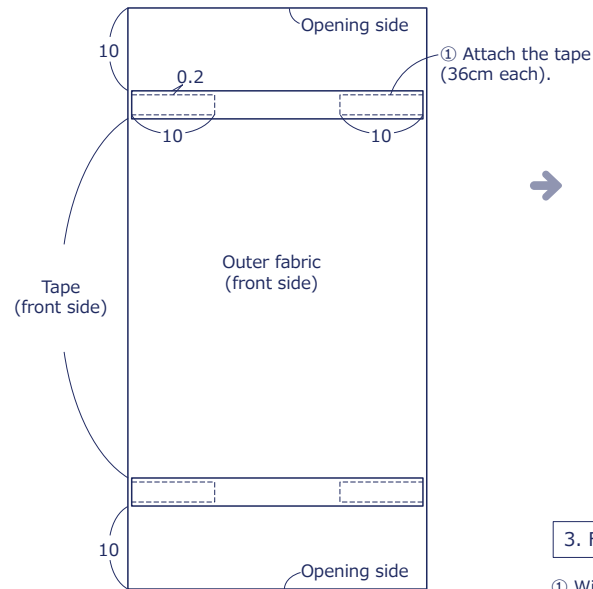
Pattern and Cutting Layout

The unit is cm. All raw edge.

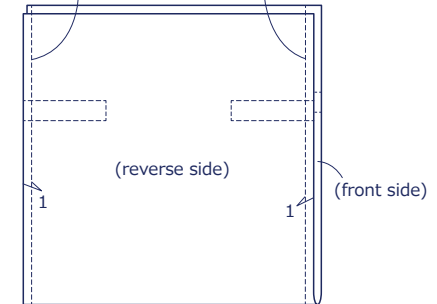


Instructions

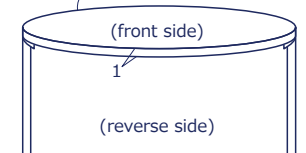
1. Make the outer bag



② With the front sides facing each other, fold in two and sew both sides.



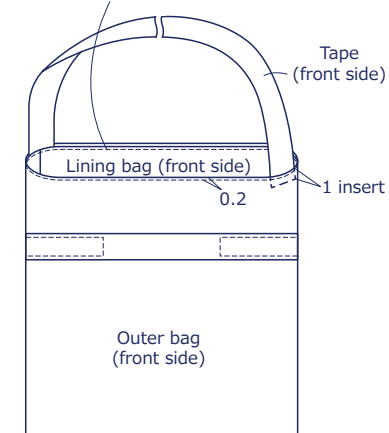
③ Fold the edge of the top opening.



④ Turn it inside out.

3. Finish the bag

① With the front sides facing outside, put the outer and lining bags together with the tape (76cm) in-between and sew the top opening.



2. Make the lining bag

Using the lining fabric, repeat the process as in ① - ②③.