



Round Bag

Design & work: Yoko Kubodera

Size (including handles):
about 36cm (l) about 48cm (w)

have fun with KOKKA fabric! produced by KOKKA

kokka-fabric.com

The craft projects and works featured in kokka-fabric.com are strictly for personal use and enjoyment. Please refrain from selling handmade items using the same exact design (including the pieces made in different fabrics) featured in kokka-fabric.com.

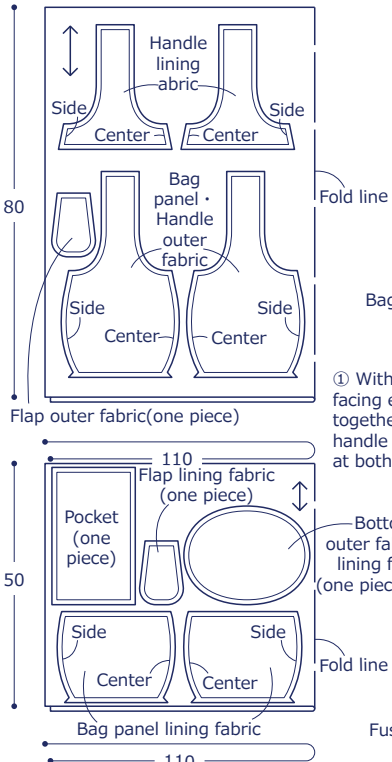
Materials

- Fabric (Bag portion · Handle outer fabric, Handle lining fabric, Flap outer fabric): 110cmx80cm
(Bag portion lining fabric, Flap lining fabric, Bottom, Pocket): 110cmx50cm
- Fusible quilt batting: 100cmx80cm
- Magnetic hook (sew on type): One pair (1cm diameter)

Fabric shown for this sample: (Outer fabric) JG-90010-12D
(Lining fabric) JG-95410-10E

Cutting Layout

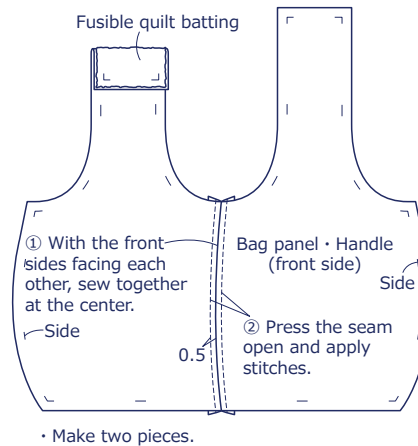
Unit: cm Seam Allowance: 1cm



Adhere fusible quilt batting on the back of the outer fabric and bottom lining fabric.

Instructions

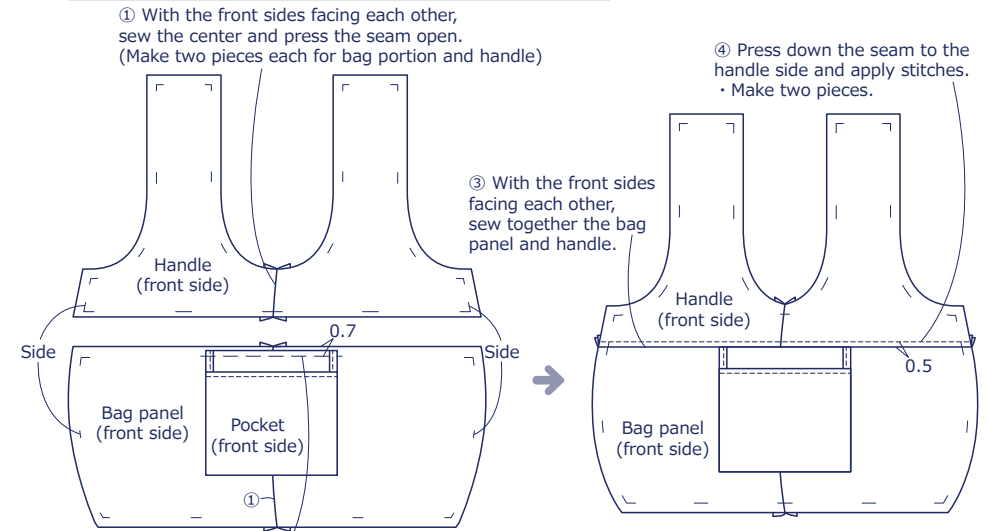
1. Make the outer portion of the bag panel · handle fabric



- ① With the front sides facing each other, sew together at the center.
- ② Press the seam open and apply stitches.

· Make two pieces.

2. Make lining portion of the bag panel and handle fabric

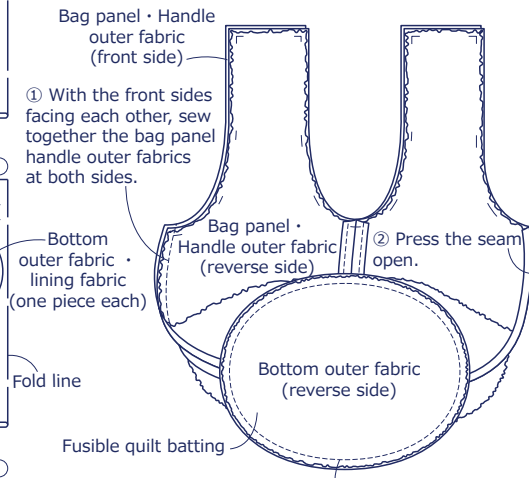


- ① With the front sides facing each other, sew the center and press the seam open.
(Make two pieces each for bag portion and handle)
- ④ Press down the seam to the handle side and apply stitches.
· Make two pieces.

- ③ With the front sides facing each other, sew together the bag panel and handle.

- ② Make the pocket. (refer to the first page of the instructions sheet).
Baste it to one of the bag panel fabrics.

3. Make the outer bag



- ① With the front sides facing each other, sew together the bag panel handle outer fabrics at both sides.

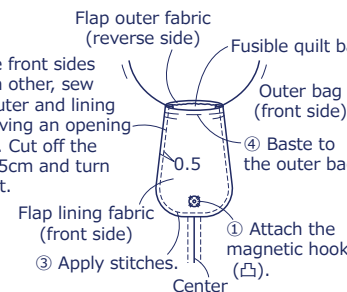
- ② Press the seam open.

- ③ With the front sides facing each other, sew together ② and bottom outer fabric.

4. Make the lining bag

Sew together the bag panel · handle lining fabric and bottom lining fabric as in [3].
(Leave an opening for turning on one side.)

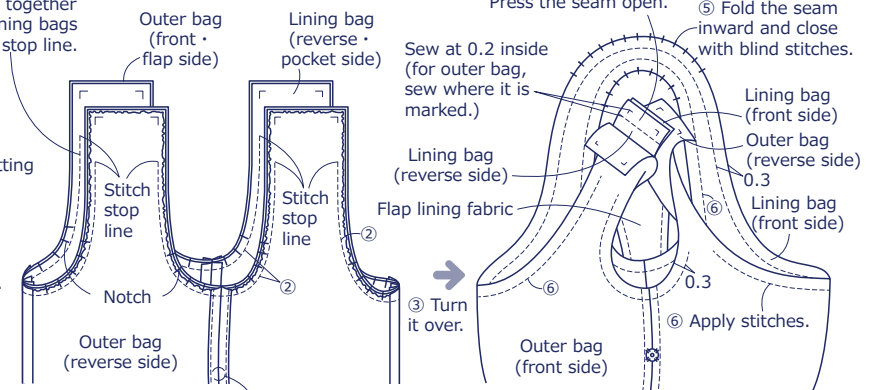
5. Make the flap



- ② With the front sides facing each other, sew together outer and lining fabrics, leaving an opening for turning. Cut off the seam to 0.5cm and turn it inside out.
- ③ Apply stitches.

- ② With the front sides facing each other, sew together the outer and lining bags up to the stitch stop line.

6. Sew the top opening portion



- ① Attach the magnetic hook (凹) to the surface of the outer bag.

- ④ With the front sides facing each other, sew together the outer and lining fabrics at ☆.
Press the seam open.
- ⑤ Fold the seam inward and close with blind stitches.

- Sew at 0.2 inside (for outer bag, sew where it is marked.)

- ⑥ Apply stitches.

- ③ Turn it over.

- ⑦ Close the opening for turning.

Pattern

Enlarge the pattern to 143%. Add 1cm seam.
For bag panel · handle outer fabric and quilt batting, connect the pattern at ● to make it into one piece.
Cut two pieces of fabric each symmetrically.
Adhere fusible quilt batting on the back of the outer fabric and bottom lining fabric.

The craft projects and works featured in kokka-fabric.com are strictly for personal use and enjoyment. Please refrain from selling handmade items using the same exact design (including the pieces made in different fabrics) featured in kokka-fabric.com.

