



Bib Jumper

Design & work: atelier musubi

Size: 50cm (body width)

have fun with KOKKA fabric! produced by KOKKA

kokka-fabric.com

The craft projects and works featured in kokka-fabric.com are strictly for personal use and enjoyment. Please refrain from selling handmade items using the same exact design (including the pieces made in different fabrics) featured in kokka-fabric.com.

Materials

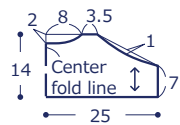
- Fabric (Outer fabric, Skirt, Shoulder Strap): 110cm×1.9m
(Lining fabric): 110cm×40cm
- Button: 4 pieces (1.4cm diameter)

Fabric shown for this sample: EXA-101-1D

Pattern

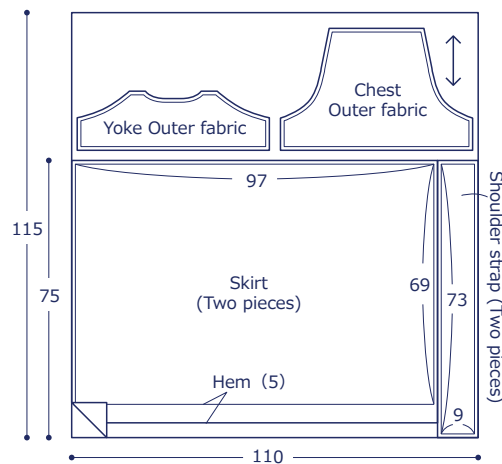
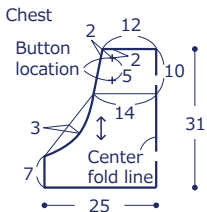
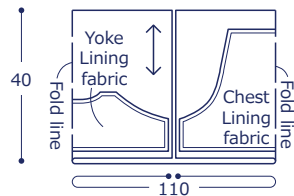
Unit is cm

Yoke



Cutting Layout

Numbers in () denote seam allowances.
Add 1cm seam unless otherwise stated.



Instructions

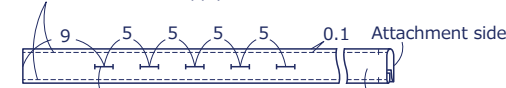
1. Make the shoulder strap

② With the front sides facing each other, fold in two and sew.



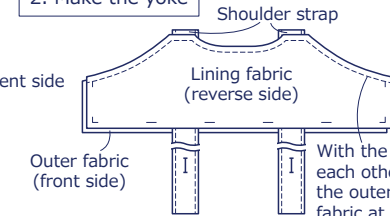
① Fold the seam of the long end.

③ Turn it over and apply stitches.



④ Make the button hole.
· Make two pieces.

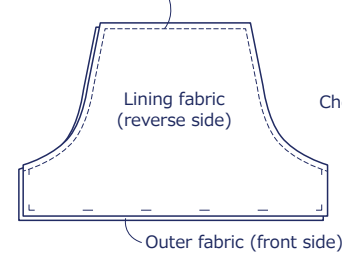
2. Make the yoke



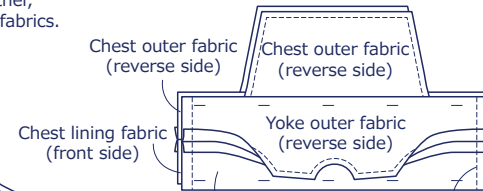
With the front sides facing each other, sew together the outer fabric and lining fabric at the sides with the shoulder strap in-between.

3. Make the chest piece

With the front sides facing each other, sew together the outer and lining fabrics.



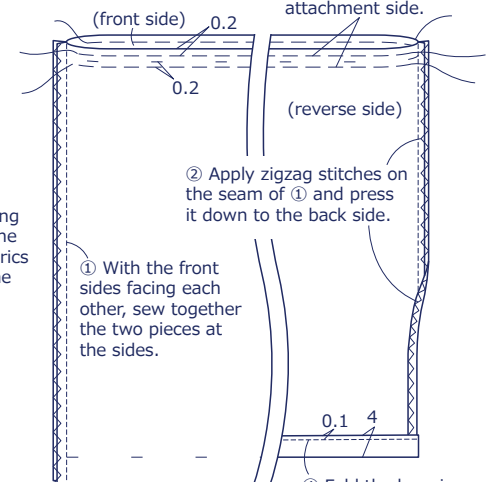
4. Sew together the chest piece and yoke



① With the front sides facing each other, sew together the outer fabrics and lining fabrics of the chest and yoke at the sides respectively.

② Turn it over.

5. Make the skirt



② Apply zigzag stitches on the seam of ① and press it down to the back side.

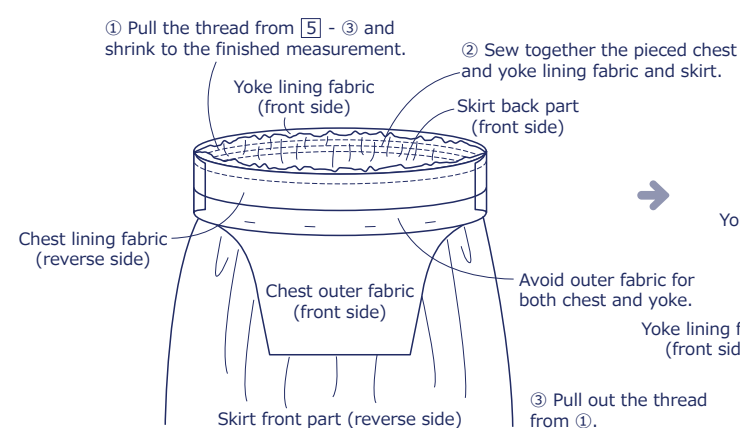
① With the front sides facing each other, sew together the two pieces at the sides.

④ Fold the hem in three and sew.

6. Sew together the pieced chest and yoke and skirt

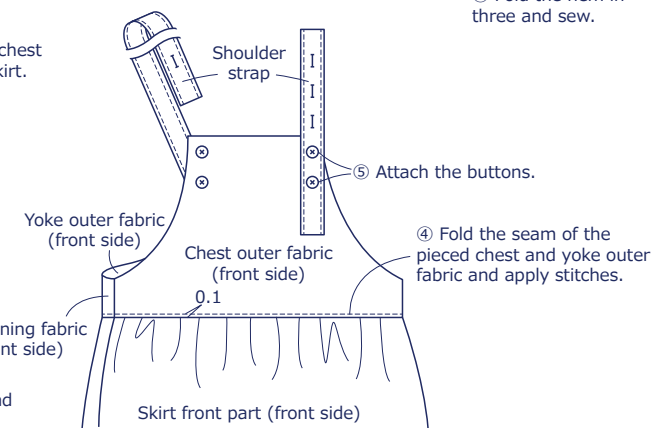
① Pull the thread from ⑤ - ③ and shrink to the finished measurement.

② Sew together the pieced chest and yoke lining fabric and skirt.



Avoid outer fabric for both chest and yoke.

③ Pull out the thread from ①.



⑤ Attach the buttons.

④ Fold the seam of the pieced chest and yoke outer fabric and apply stitches.