



Drawstring Tote Bag

Design & work: Usanko Channel

Size: 33cm (l) 38cm (w) 4cm (gusset)

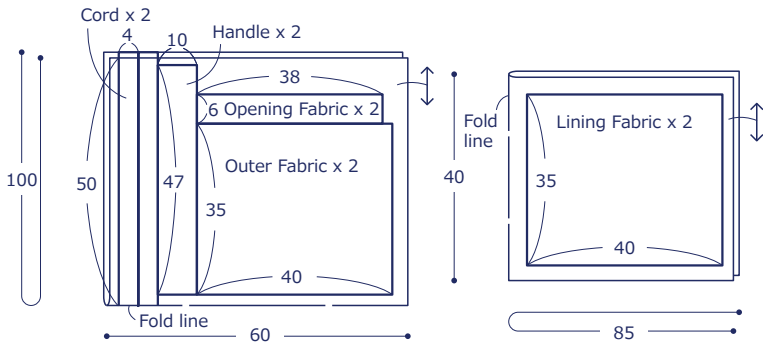
Materials

- Fabric (Outer Fabric, Opening Fabric, Handle, Cord): 60cm×100cm
(Lining Fabric): 85cm×40cm
- Fusible Interfacing: 90cm×40cm

Fabric shown for this sample: (Outer Fabric) YGA-86010-1C

Pattern and Cutting Layout

Unit: cm All raw edge Adhere fusible interfacing on the back of the outer fabrics.



have fun with KOKKA fabric! produced by KOKKA

kokka-fabric.com

The craft projects and works featured in kokka-fabric.com are strictly for personal use and enjoyment. Please refrain from selling handmade items using the same exact design (including the pieces made in different fabrics) featured in kokka-fabric.com.

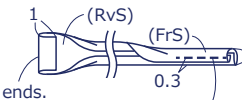
Instructions Front Side - (FrS), Reverse Side (RvS)

1. Make the handle



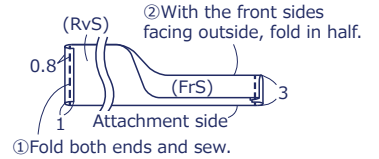
With the front sides facing outside, fold in four and sew.
• Make two pieces.

2. Make the cord



- ① Fold both ends.
- ② With the front sides facing outside, fold in four and sew.
• Make two pieces.

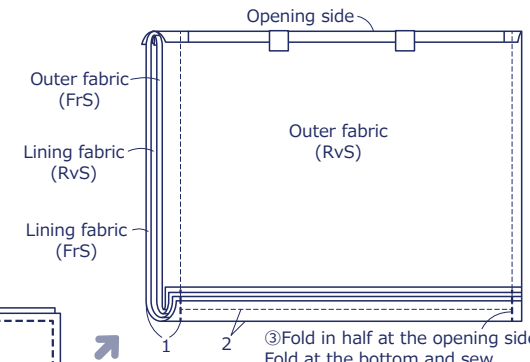
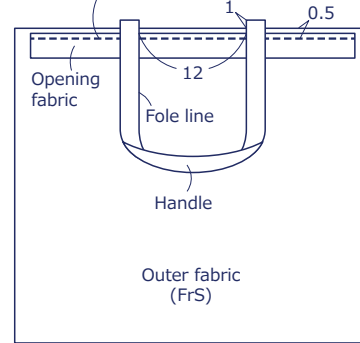
3. Make the opening fabric



① Fold both ends and sew.

4. Make the outer fabric

Baste the opening fabric and handle. • Make two pieces.



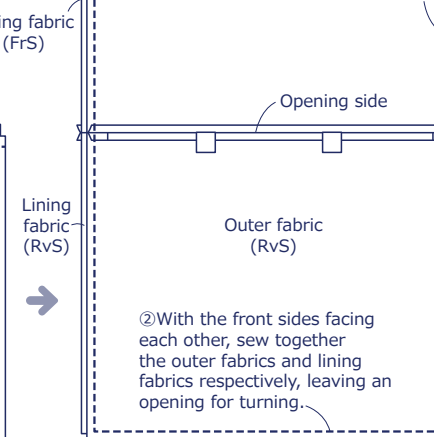
③ Fold in half at the opening side. Fold at the bottom and sew both sides.

⑤ Close the opening for turning.

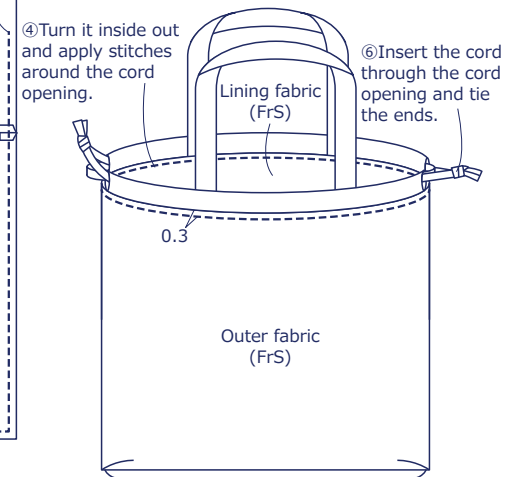
5. Finish the bag



① With the front sides facing each other, sew together the outer and lining fabrics at the top opening.



② With the front sides facing each other, sew together the outer fabrics and lining fabrics respectively, leaving an opening for turning.



④ Turn it inside out and apply stitches around the cord opening.

⑥ Insert the cord through the cord opening and tie the ends.

• Make two pieces.