



Tissue Case

Design & work: Satomi Takei

Size: 12.5cm (l) 12cm (w)

have fun with KOKKA fabric! produced by KOKKA

kokka-fabric.com

The craft projects and works featured in kokka-fabric.com are strictly for personal use and enjoyment. Please refrain from selling handmade items using the same exact design (including the pieces made in different fabrics) featured in kokka-fabric.com.

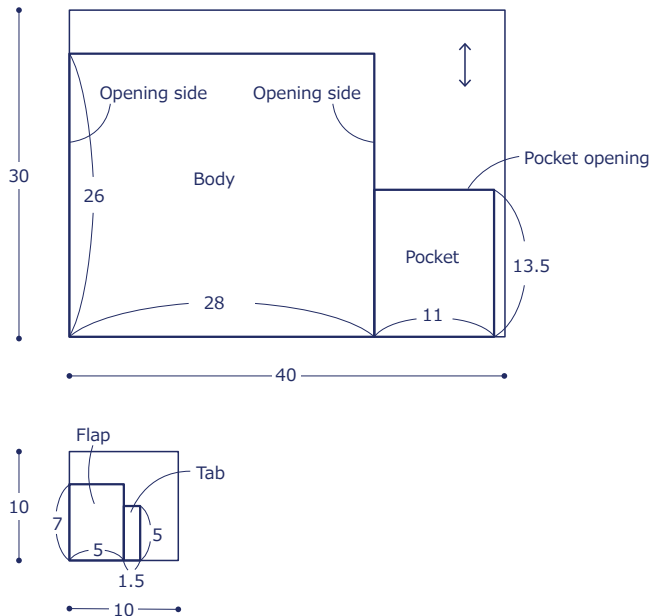
Materials

- Fabric (Body, Pocket): 40cm x 30cm
- Artificial Leather (Flap, Tab): 10cm x 10cm
- Plasnaps: 1.1cm diameter x One pair
- Rivet: 0.6cm diameter x Three pairs

Fabric shown for this sample: EPX-6432-1A

Pattern and Cutting Layout

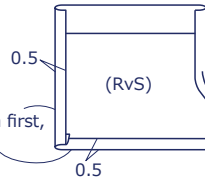
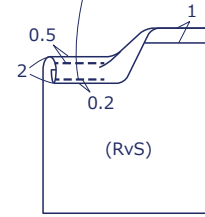
Unit: cm. All raw edge.



Instructions Front Side - (FrS), Reverse Side (RvS)

1. Make the pocket

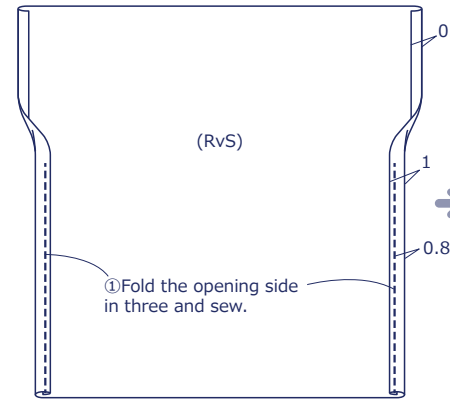
①Fold the pocket opening in three and sew.



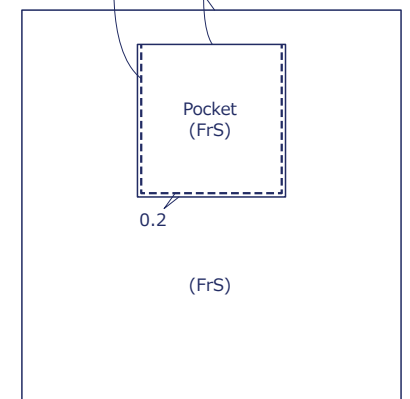
②Fold the bottom first, then both sides

2. Make the body

②Sew on the pocket.



①Fold the opening side in three and sew.



3. Finish the case

②Plasnaps (㊦)

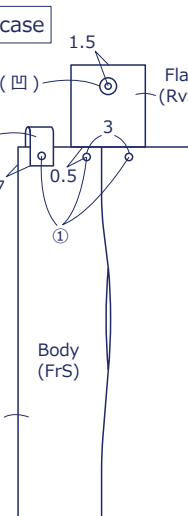
Tab (With the front sides facing outside, fold in half)

①Attach the flap and tab using rivets.

②Attach the Plasnaps.

Inner side

Outer side



②Plasnaps (㊦) · Attach it by avoiding the inner side

③With the front sides facing each other, fold the left and right edges, then sew the top and bottom edges together.

④Turn it inside out and apply stitches both at the top and bottom.

