



Round Bottom Drawstring Bag

Design & work: Kokka Fabric

Size: approx. 25cm (l)
 approx. 35cm (w)
 approx. 15cm (gusset)
 (excludes handles)

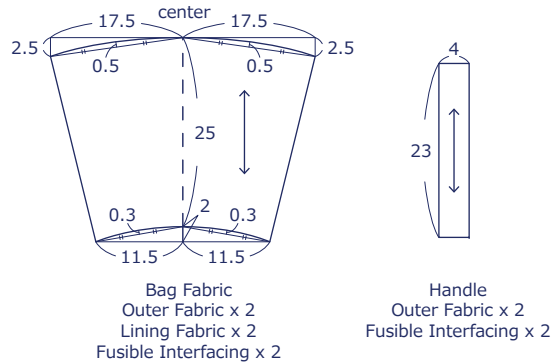
Materials

- Outer Fabric: approx. 110cm wide x 40cm
- Lining Fabric: approx. 110cm wide x 40cm
- Fusible Interfacing (Medium Weight): approx. 110cm wide x 40cm
- Round Cord (Medium): 160cm

Fabric shown for this sample: YKA-39060-1D

Pattern

Unit: cm [] : denotes seam allowance
 Add 1cm seam allowance unless otherwise stated when cutting the fabric.



※Adhere fusible interfacing on the back of the outer bag fabric, outer bottom fabric and handle.

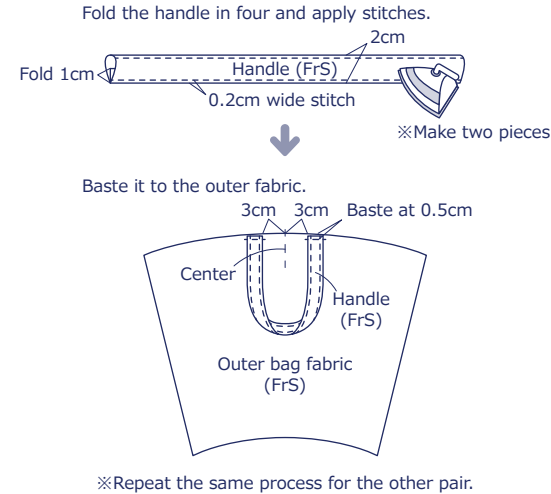
have fun with KOKKA fabric! produced by KOKKA

kokka-fabric.com

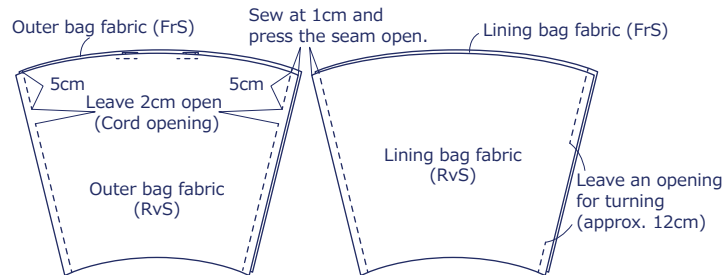
The craft projects and works featured in kokka-fabric.com are strictly for personal use and enjoyment. Please refrain from selling handmade items using the same exact design (including the pieces made in different fabrics) featured in kokka-fabric.com.

Instructions Front Side - (FrS), Reverse Side (RvS)

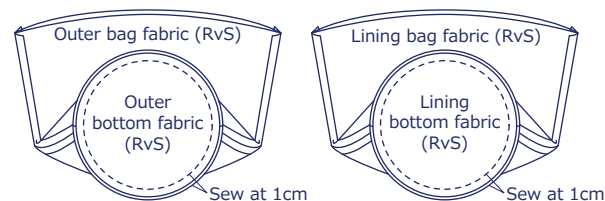
1. Make the handles and baste them to the outer bag fabric



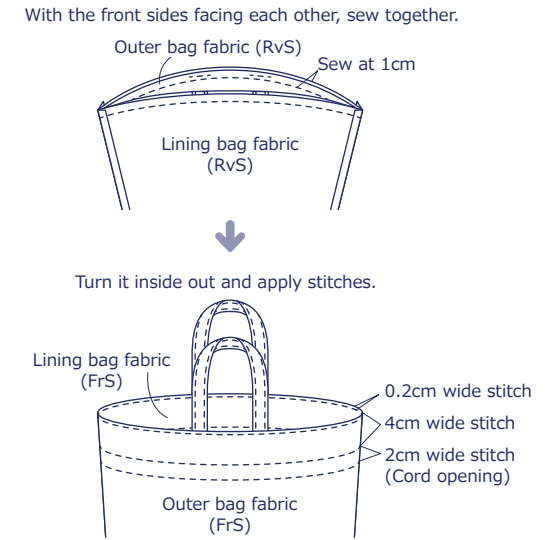
2. With the front sides facing each other, sew together the outer bag fabrics at the sides



3. With the front sides facing each other, sew together the bag fabric and bottom fabric



4. With the front sides facing each other, sew together the outer bag fabric and lining bag fabric at the top opening



5. Insert the cord to finish

