



Ring Handle Bag

Design & work: Reiko Kashi

Size: 30cm (l)
43cm (w-opening side) 17cm (bottom)
10cm (gusset)

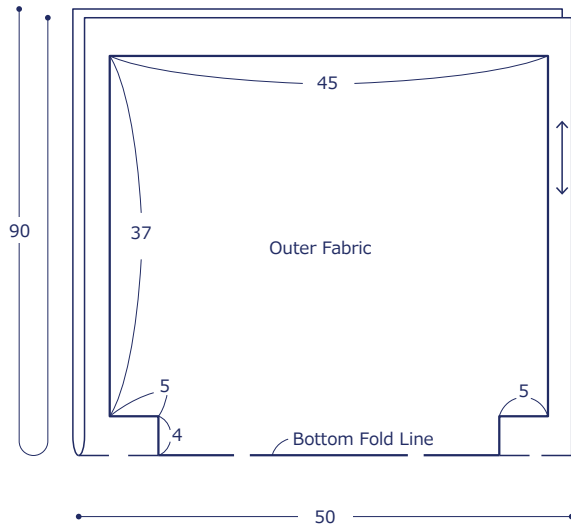
Materials

- Fabric (Outer Fabric): 50cm x 90cm
- Fabric (Lining Fabric): 50cm x 90cm
- Handle: 16cm diameter x One pair

Fabric shown for this sample: HA-3030-10E

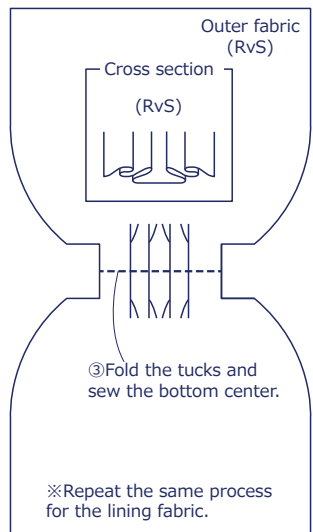
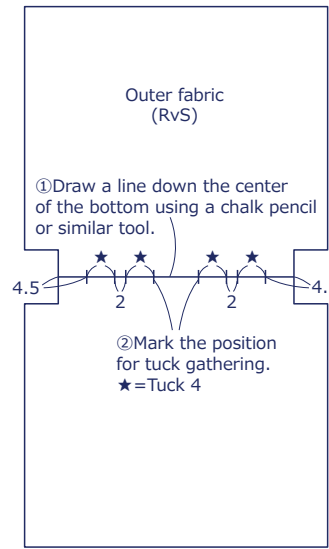
Pattern and Cutting Layout

Unit: cm All raw edge. Cut lining fabric with same measurement as outer fabric.

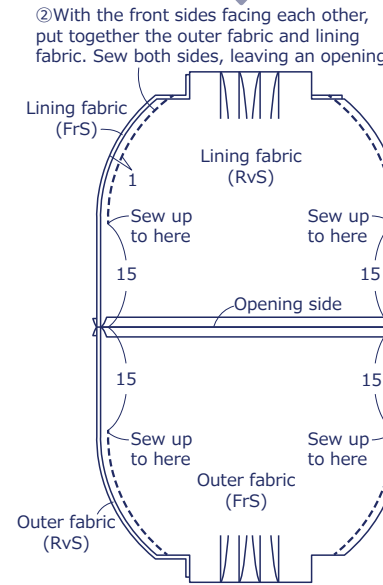
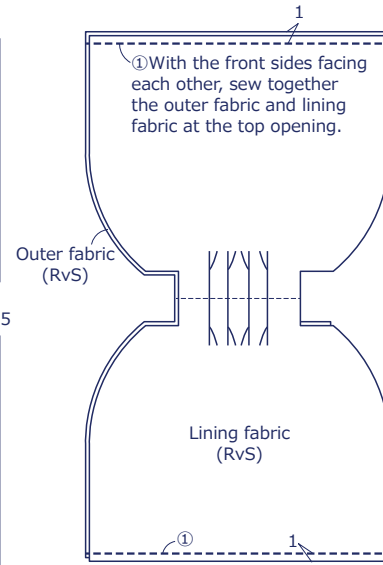


Instructions Front Side - (FrS), Reverse Side (RvS)

1. Make the outer fabric and lining fabric



2. Finish the bag



have fun with KOKKA fabric! produced by KOKKA

kokka-fabric.com

The craft projects and works featured in kokka-fabric.com are strictly for personal use and enjoyment. Please refrain from selling handmade items using the same exact design (including the pieces made in different fabrics) featured in kokka-fabric.com.

