



Drawstring Bag

Design & work: Yui Tamaki

Size: 31cm (l) 25cm (w)

have fun with KOKKA fabric! produced by KOKKA

kokka-fabric.com

The craft projects and works featured in kokka-fabric.com are strictly for personal use and enjoyment. Please refrain from selling handmade items using the same exact design (including the pieces made in different fabrics) featured in kokka-fabric.com.

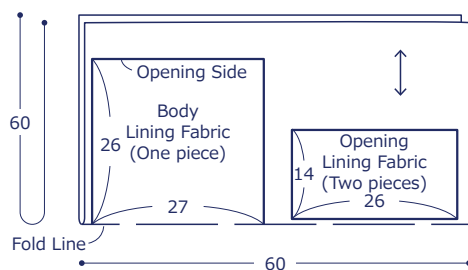
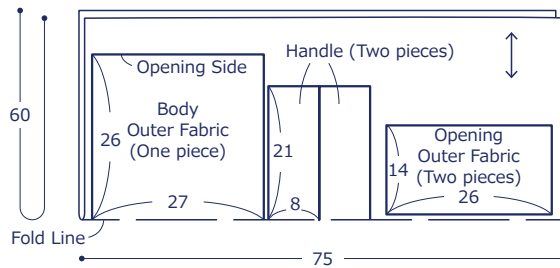
Materials

- Fabric (Outer Fabric, Handle): 75cm x 60cm
(Lining Fabric): 60cm x 60cm
- Waxed Cord: 0.4cm diameter x 1.4m
- Tag of your choice: One piece

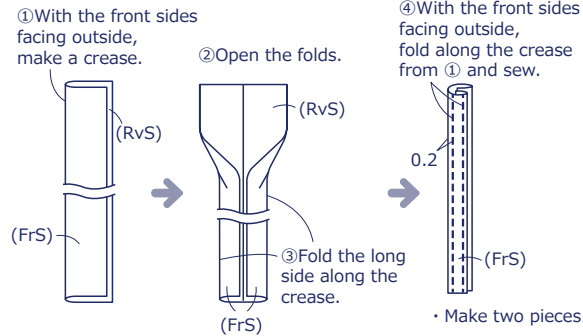
Fabric shown for this sample: YP-71030-1D

Pattern and Cutting Layout

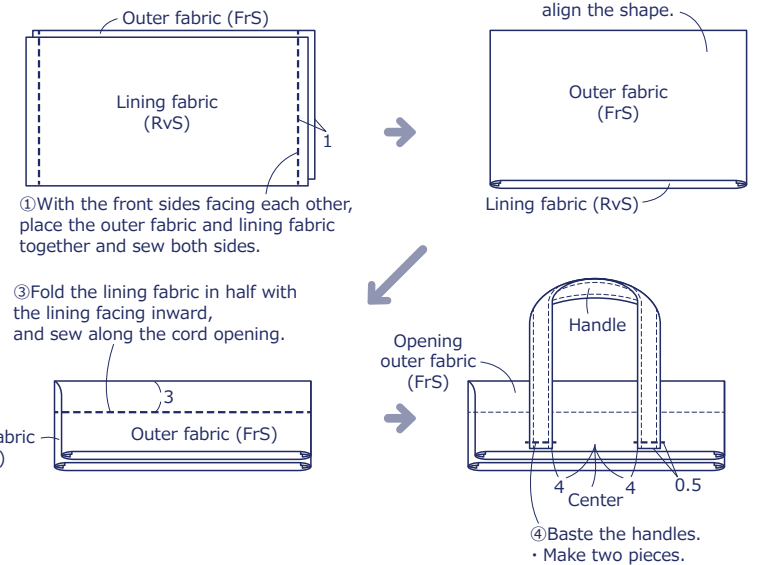
Unit: cm All raw edge



1. Make the handles



2. Make the opening fabric



3. Make the body

