



Eyeglass case made with echino glass design fabric

Size: 15.5cm (L) x 10cm (W)

Design & work created by Anri

have fun with KOKKA fabric! produced by **KOKKA**

kokka-fabric.com

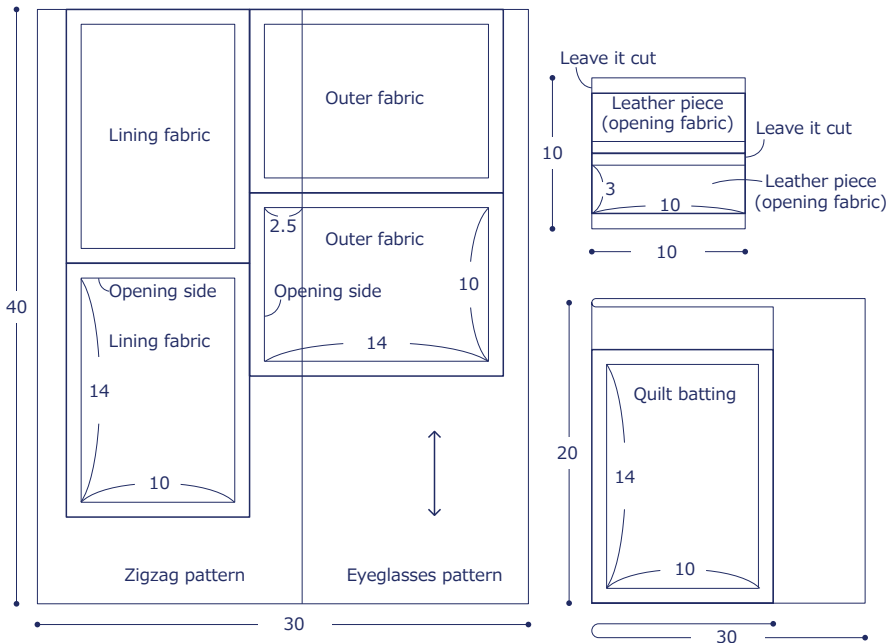
Materials

- Fabric (Outer fabric, Lining fabric) 30cm (W) x 40cm (L)
- Leather piece (Opening fabric) 10cm (W) x 10cm (L)
- Quilt batting 30cm (W) x 20cm (L)
- Metal spring-loaded clasp 1cm (W) x 10cm (L) 1 piece

Fabric shown for this sample: echino ni-co JG99700-702 (D)

Cutting layout

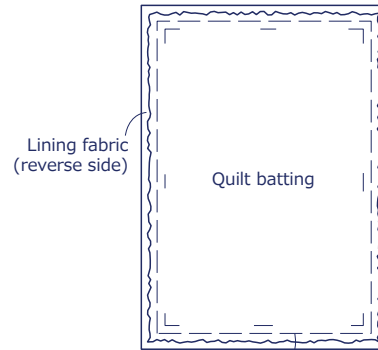
All measurements are in centimeters (cm). All seam allowances 1cm unless otherwise stated.



*Cut the fabric based on the pattern you would like to use.

Instructions

1. Baste quilt batting.

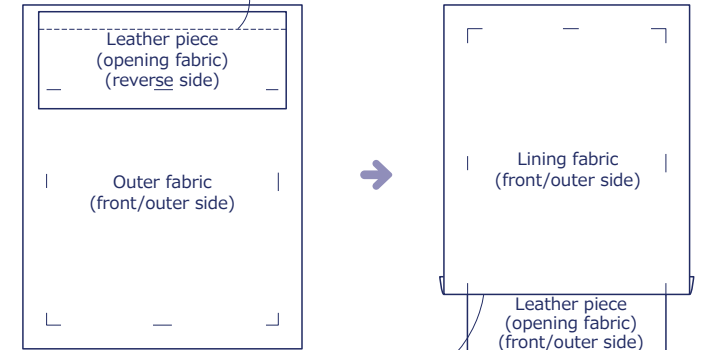


Baste quilt batting onto lining fabric.

• Make two pieces

2. Attach leather opening piece (opening fabric).

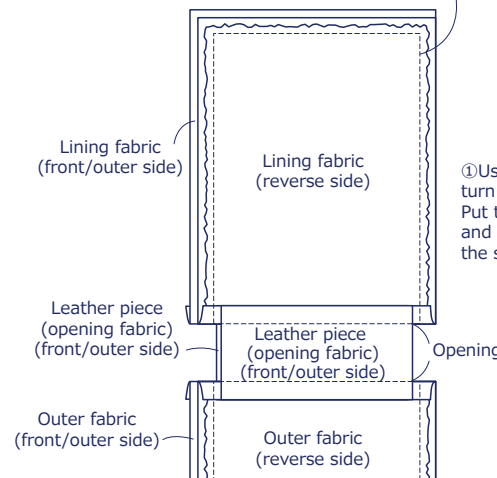
①With front/outer sides facing each other, sew outer fabric and leather piece (opening fabric) together.



②As in process 2-1, with right sides together, sew lining fabric and leather piece (opening fabric).

3. Make body of the case.

Put pieces created in 2-② with right sides facing each other and sew the sides and bottom, leaving the opening. Repeat the same process on the outer fabric.



4. Attach metal spring-loaded clasp.

