



Lesson bag in kitten design fabric

Design & work created by Yuki Inomata(neige+)

Size: 30cm (H), 40cm(W), 4cm (D)

Materials

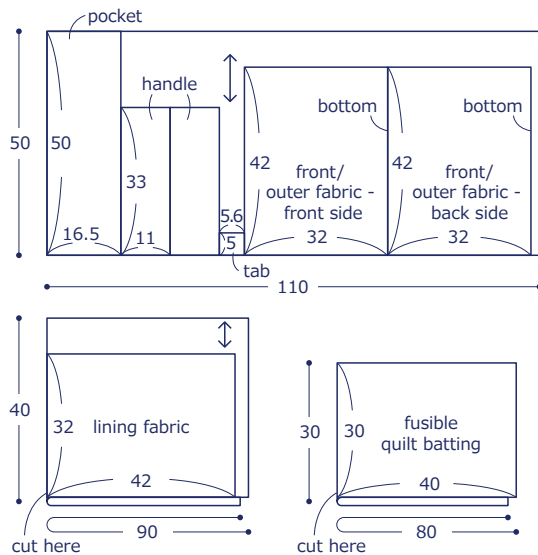
- Fabric(Front/outer fabric, Handle, Pocket, Tab) : 110cm×50cm
(Lining/inside fabric) : 90cm×40cm
- Fusible quilt batting : 80cm×30cm
- Lace: 30cm (1cm width)
- Tape: 10cm (1cm width)
- A charm of your choice

Fabric shown for this sample: (Front/Outer fabric)Neko Funjatta
(The Flea Waltz) P25200-202 (A)
(Lining fabric) Neko Funjatta
(The Flea Waltz) P25200-201 (D)

cutting layout

all measurements are in centimeters (cm)

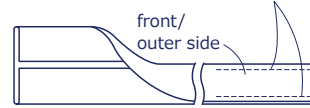
*adjust where to cut depending on the specific print design of your choice



Instructions

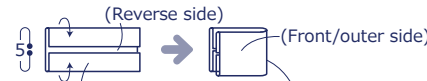
1. Make handles.

With front/outer sides facing outside, fold in four and stitch the top and bottom.



Make two pieces

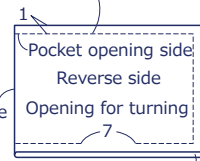
3. Make a tab.



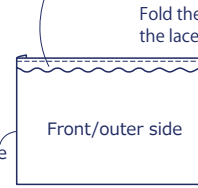
①Fold the top and bottom, with front/outer side of the fabric facing outside. ② Fold in half, with front/outer side facing outside.

2. Make a pocket.

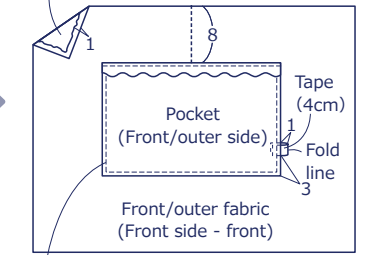
①With front/outer sides facing each other, fold in half. Sew around the edges, leaving an opening for turning.



②Turn it inside out. Attach a lace and sew over the opening side of the pocket.



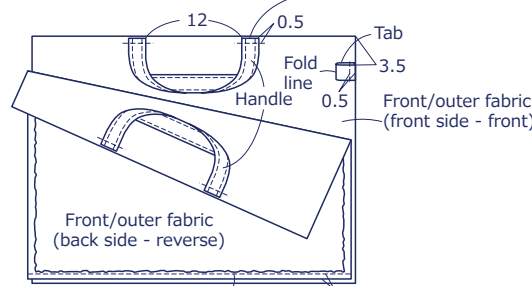
③Adhere fusible quilt batting to the front/outer fabric. -Make two pieces Center



④ Place the pocket over the front/outer fabric. On the right bottom, place the folded tape in-between and sew over.

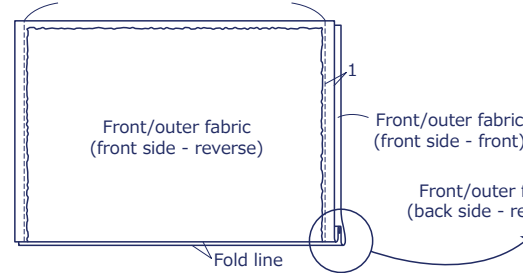
4. Make a front/outer bag.

①Attach and baste handles and tab to the front/outer fabric.



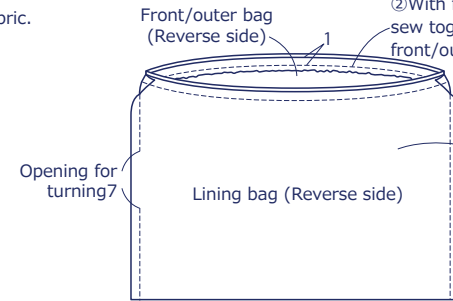
②Sew together the bottom of the fabric from previous process, with front/outer side facing each other.

③Fold the bottom as shown and sew the side edges.



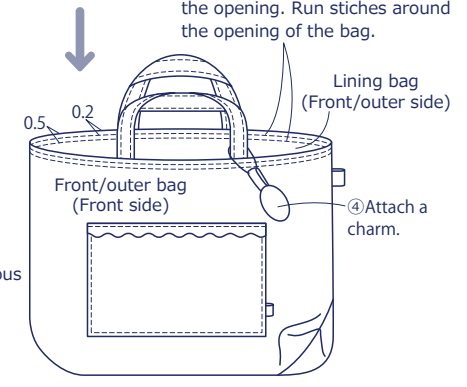
5. Make the lining bag and sew together with the front/outer bag.

②With front/outer side facing each other, sew together the top opening part of the front/outer bag and lining bag.



①As in Step 4 - process ②& ③, prepare the lining bag (leave an opening for turning on one side)

③Turn it inside out and close the opening. Run stitches around the opening of the bag.



④Attach a charm.