



Sarouel pants in grandrelle yarn knit fabric

Design & work created by Masumi Saito (sinafuku*)

Size:
For kids with 90cm - 110cm body height

Materials

- Fabric: (front and back pants) : 60cm x 100cm (Waist, Bottom Hem) : 90cm x 10cm
- Elastic tape: 1m (1cm width)

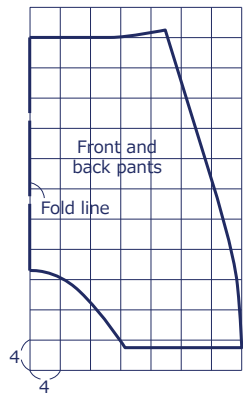
Fabric shown for this sample (front and back pants): P25400-401(A)

Cutting layout and pattern

All measurements are in centimeters (cm)

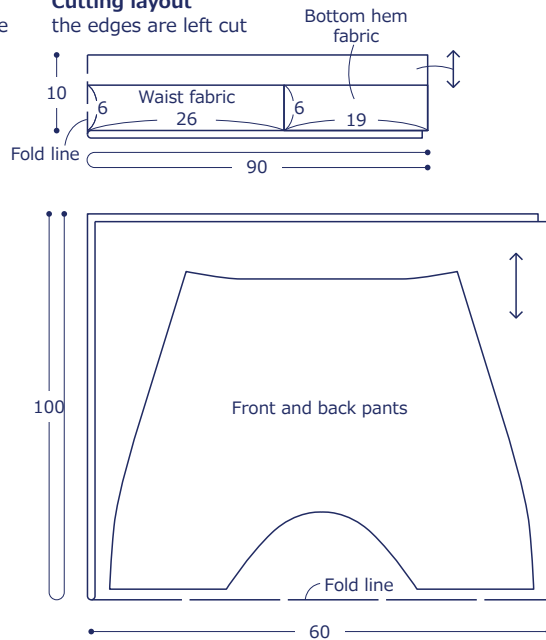
Pattern

Enlarge to a specified size



Cutting layout

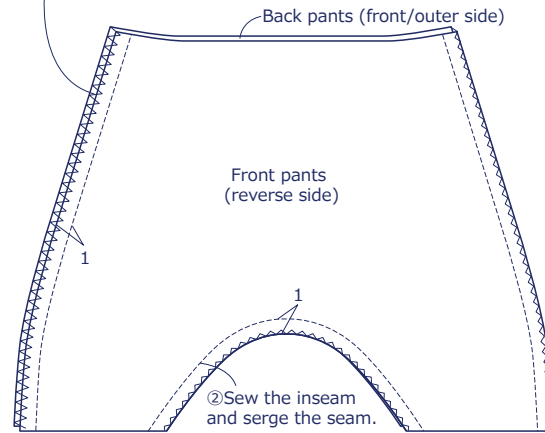
the edges are left cut



Instructions

1. Make a pair of pants.

① With front/outer sides facing each other, place the front and back pants fabric together and sew the sides. Serge the seam.



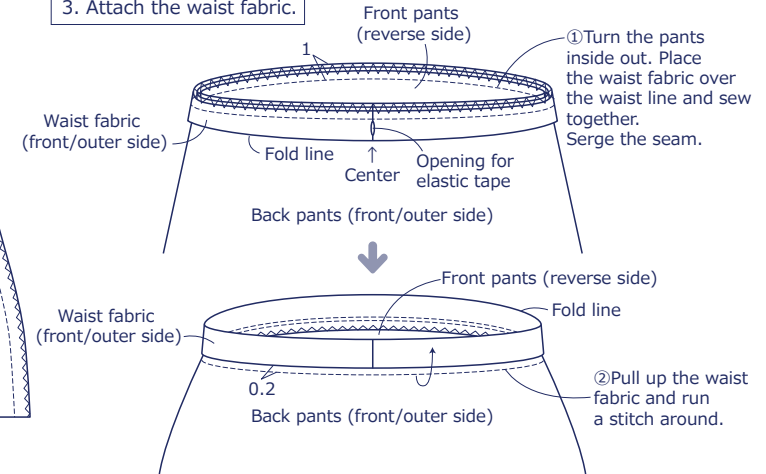
2. Sew the waist and bottom hem fabrics to make a loop.

① With front/outer side facing each other, fold in half and sew, leaving an opening for elastic tape.

Following the same process, make two bottom hem fabrics.

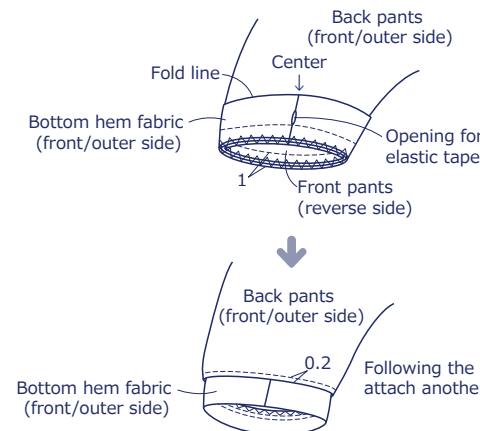


3. Attach the waist fabric.



4. Attach the bottom hems.

Place the bottom hem fabrics over the bottom and sew together. Serge the seam as in Step 3 ① and ②.



5. Put through the elastic tape.

Using the opening, put through the elastic tape. Place the ends to overlap each other and stitch over to secure.

Elastic tape - Waist measurement x 0.9 (sample size is 42)

1 Overlap with each other

Using the opening, put through the elastic tape. Place the ends to overlap each other and stitch over to secure.

