



Small case with metal clasps in the GARDEN fabric

Size: 14cm (w), 8cm (h), 14cm (d)

have fun with KOKKA fabric! produced by **KOKKA**

kokka-fabric.com

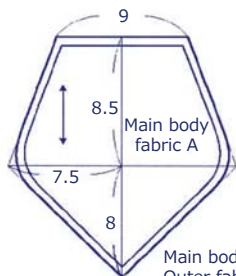
Materials:

- Outer Fabric A: 20cm (110cm width)
- Outer Fabric B: 20cm (110cm width)
- Lining Fabric: 20cm (110cm width)
- Interfacing: 20cm (90cm width)
- Metal Clasp One piece 9cm (w) x 7cm (h)

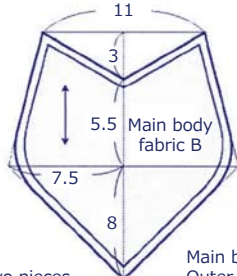
Fabric shown for this sample: (Outer Fabric A) GARDEN JG 41700-3 (A)
(Outer Fabric B) GARDEN JG 41700-5 (A)

Cutting layout

All measurements are in centimeters (cm). Seam allowances are included.
*All seam allowances 0.5cm unless otherwise stated.



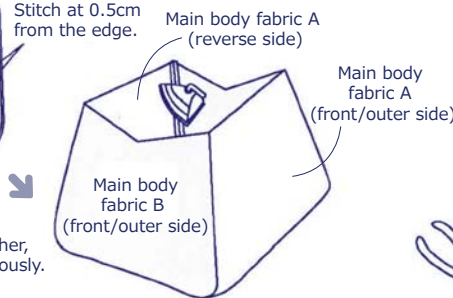
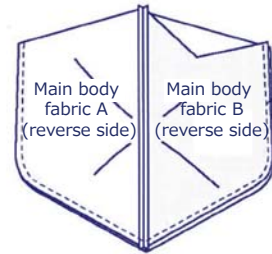
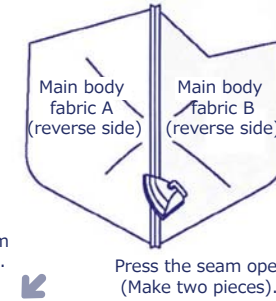
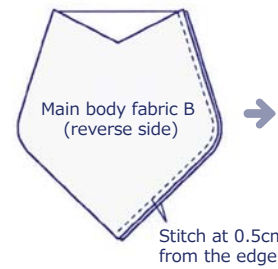
Main body fabric A
Outer fabric A x two pieces
Lining fabric A x two pieces
Interfacing x two pieces



Main body fabric B
Outer fabric B x two pieces
Lining fabric B x two pieces
Interfacing x two pieces

Instructions

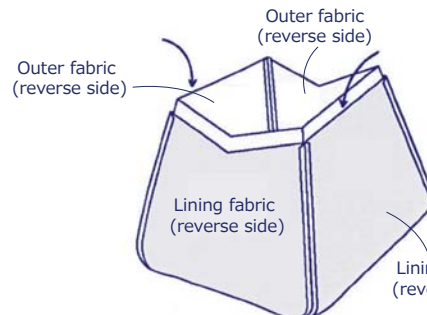
1. With front/outer side facing each other, sew main body fabric A and B together.



With front/outer side facing each other, sew together the pieces made previously.

Press the seam open to the outer side using an iron. (Sew together the lining fabrics as well).

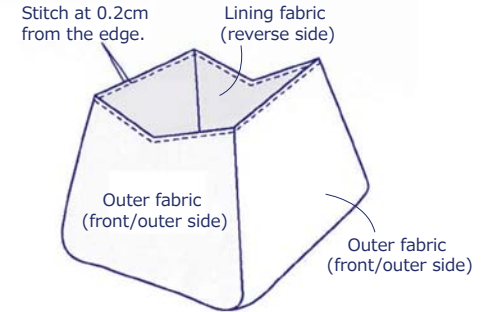
2. With front/outer side facing each other, sew together the opening side of the outer fabric and lining fabric.



With front/outer side facing each other, put together the outer fabric and lining fabric.

Adhere interfacing to the outer fabric.

3. Turn the case inside out and stitch around the opening



4. Attach metal clasps to finish.



Secure the clasp using a nippe (To avoid scratches, place a piece of fabric in-between).



Voila!