



Slip Dress made with Finlayson fabric

Size: 43cm (front chest), 83cm (dress length)

© Finlayson

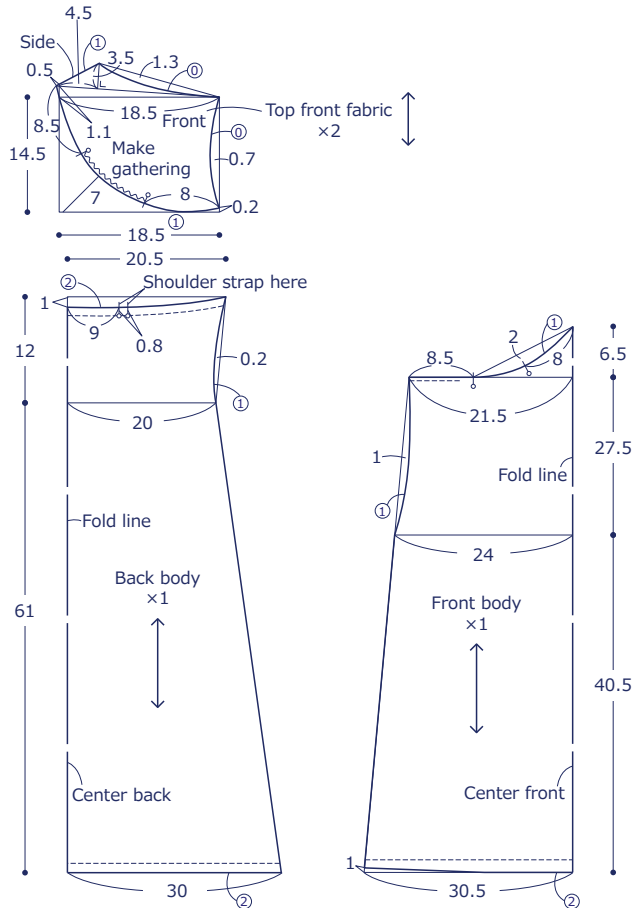
Materials:

- Fabric: 110cm (160cm width) (Use the design in one direction)
- Sateen bias binding tape: 170cm (1.1cm width)

Fabric shown for this sample: Finlayson JG43200-1 (A)

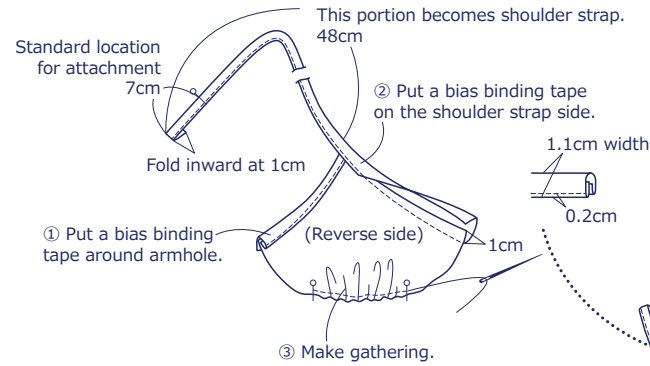
Pattern and Cutting layout

All measurements are in centimeters (cm). Numbers in circles denote seam allowance. Cut the fabric with seam allowances.

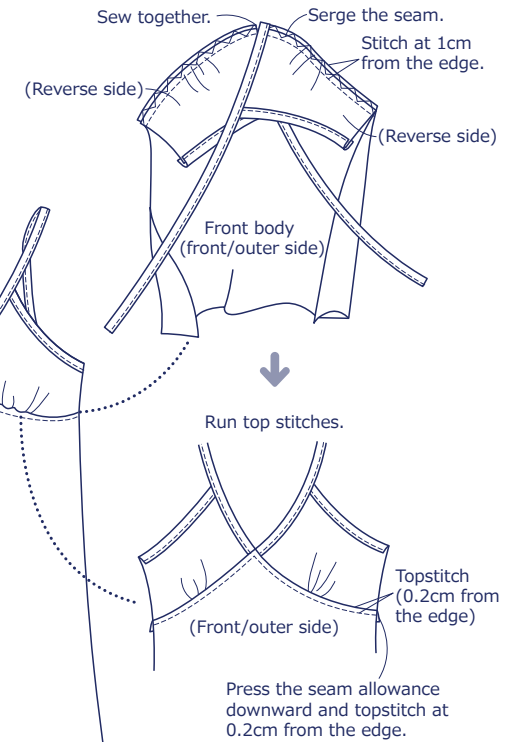


Instructions

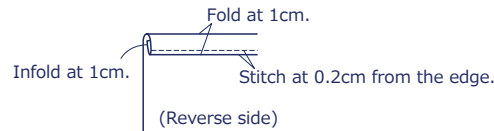
1. Finish making the top front part.



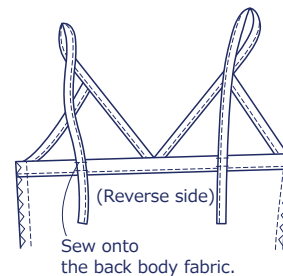
2. Sew together the top front fabrics and front body.



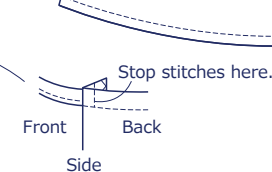
3. Stitch the top of the back body with a 1cm double fold.



4. Sew together the sides and serge the seam.



6. Set an actual shoulder strap position and sew onto the body fabric.



5. Finish the hem with a 1cm double fold.

