



# Throw Pillow Cover

Design & work created by Izumi Sato

Size: 45cm×45cm(for a 50cm×50cm pillow)

have fun with KOKKA fabric! produced by **KOKKA**

[kokka-fabric.com](http://kokka-fabric.com)

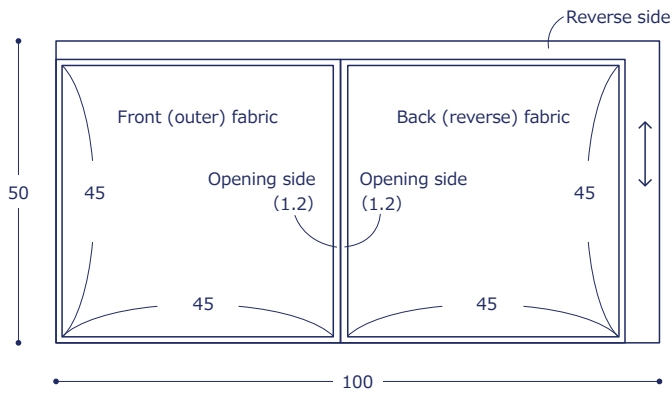
## 材料

- Fabric: 100cm×50cm
- Interfacing: 10×50cm
- Concealable zipper: One 56cm piece

Fabric shown for this sample: Geometric of the Nordic P28100-101 (B)

## Cutting Layout

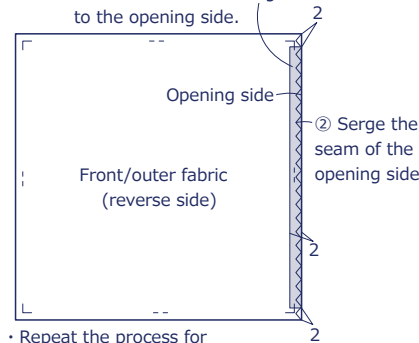
All measurements are in centimeters (cm). The edges are left cut.



## Instructions

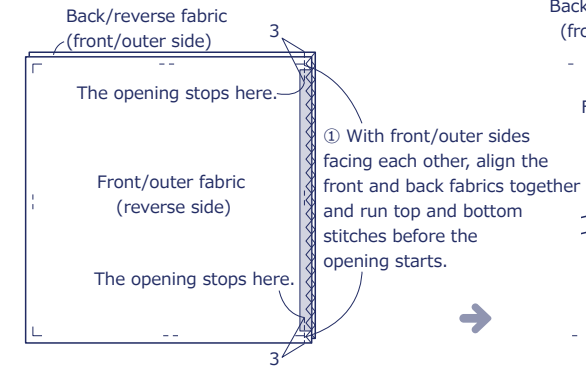
### 1. Prepare the opening side.

- ① Adhere an interfacing to the opening side.

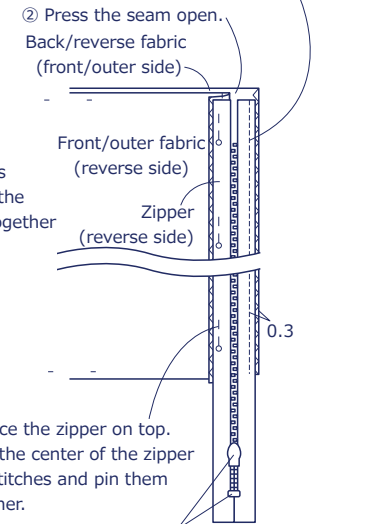


Repeat the process for the back/reverse fabric

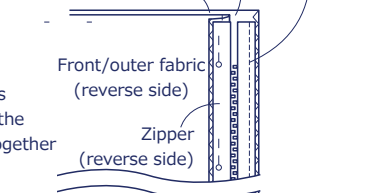
### 2. Attach a zipper



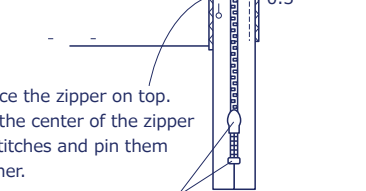
- ⑤ Attach the zipper to the seam of the opening side of the back/reverse fabric.



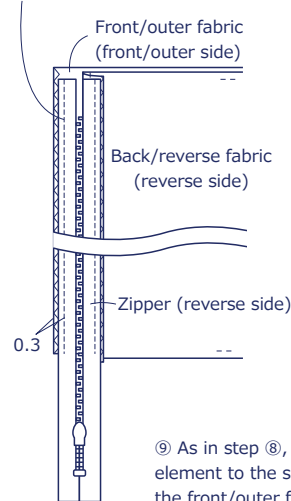
- ② Press the seam open.



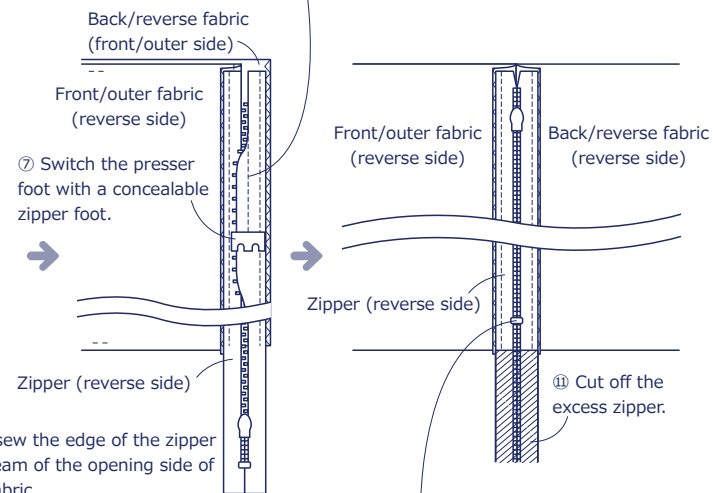
- ③ Place the zipper on top. Align the center of the zipper and stitches and pin them together.



- ⑥ Attach the zipper to the seam of the opening side of the front/outer fabric.



- ⑧ Align the zipper element with the groove of the concealable zipper foot. Sew the edge of the element to the seam of the opening side of the back/reverse fabric.

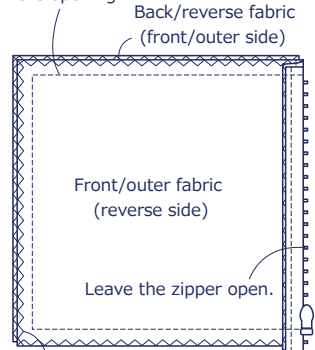


- ⑦ Switch the presser foot with a concealable zipper foot.

- ⑨ As in step ⑧, sew the edge of the zipper element to the seam of the opening side of the front/outer fabric.

### 3. Sew around the edge.

- ① With front/outer sides facing each other, align the front/outer fabric and back/reverse fabric. Sew around the edge, leaving the opening.



- ⑩ Pull up the slider and move the stopper to the end of the opening. Press the metal stopper part to secure.

- ② After sewing, serge or run zigzag stitches around the seam.
- ③ Turn the case inside out and align the shape.