



Accessory Case

Design & work created by Mioko Sugino (komihinata)

Size: About 9cm (W), About 15cm (L) (when open)
About 5cm (when closed)

have fun with KOKKA fabric! produced by **KOKKA**

kokka-fabric.com

Materials

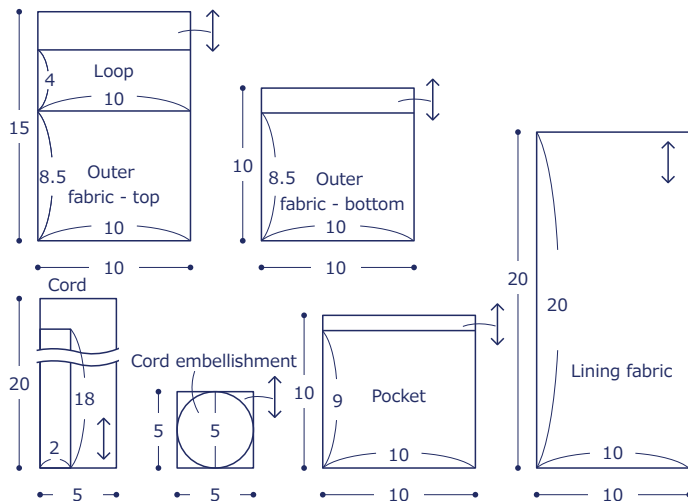
- Fabric: (Outer fabric - top, Loop) 10cm×15cm
(Outer fabric - bottom) 10cm×10cm
(Lining fabric) 10cm×20cm
(Pocket) 10cm×10cm
(Cord) 5cm×20cm
(Embellishment for cord) 5cm×5cm
- Fusible quilt batting: 10cm×20cm
- Snap: One set (0.7cm diameter)

Fabric shown for this sample: Irome HFG-101(a)

- Fabric: (Outer fabric - top) 4a
(Outer fabric - bottom) 4a
(Lining fabric) 2a
(Pocket) 3a
(Cord) 1a
(Embellishment for cord) 6a

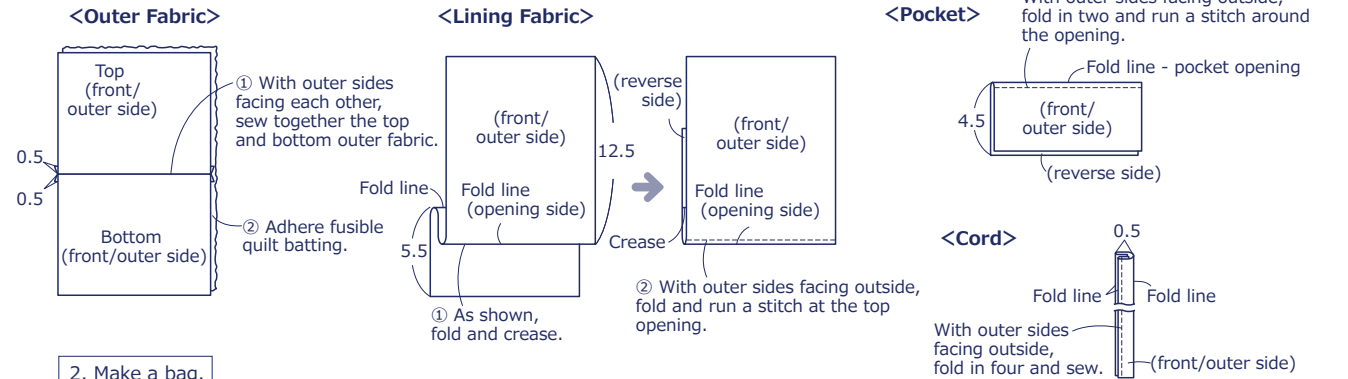
Pattern and Cutting Layout

All measurements are in centimeters (cm). The edges are left cut.

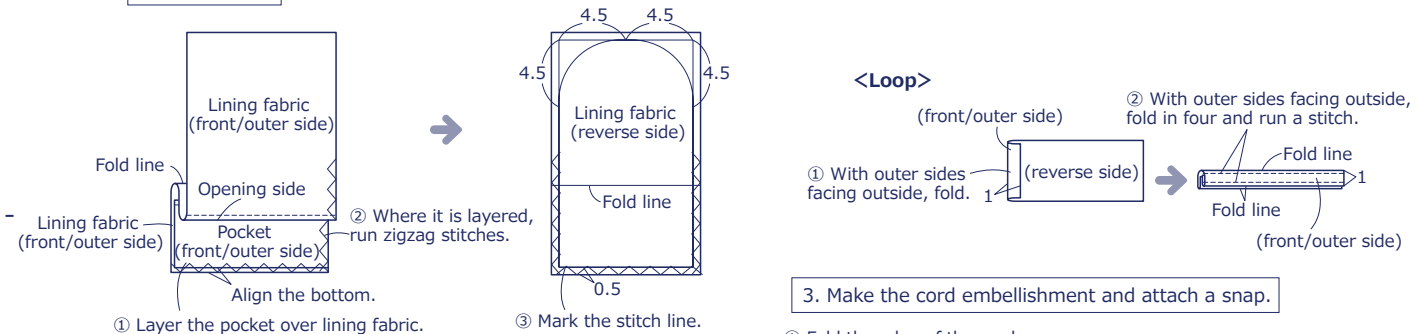


Instructions

1. Make individual parts.



2. Make a bag.



3. Make the cord embellishment and attach a snap.

