

# Throw Pillow Cover

Design & work created by Yuki Inomata (neige+)

Size: 41cm×41cm(for a 41cm×41cm pillow)

have fun with KOKKA fabric! produced by **KOKKA**

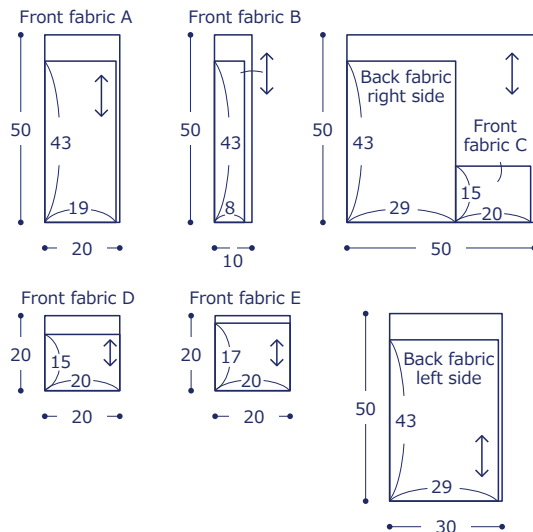
[kokka-fabric.com](http://kokka-fabric.com)

## Materials

- Fabric:(Front fabric A) 20cm×50cm  
(Front fabric B) 10cm×50cm  
(Front fabric C, Back fabric right) 50cm×50cm  
(Front fabric D) 20cm×20cm  
(Front fabric E) 20cm×20cm  
(Back fabric left) 30cm×50cm
- Leather Tag: about 8cm x 6cm – one piece  
Fabric shown for this sample: Irome HFG-101  
(Front fabric A) 2d  
(Front fabric B) 1d  
(Front fabric C, Back fabric right) 3d  
(Front fabric D) 5d  
(Front fabric E) 4d  
(Back fabric left) 6d

## Pattern and Cutting Layout

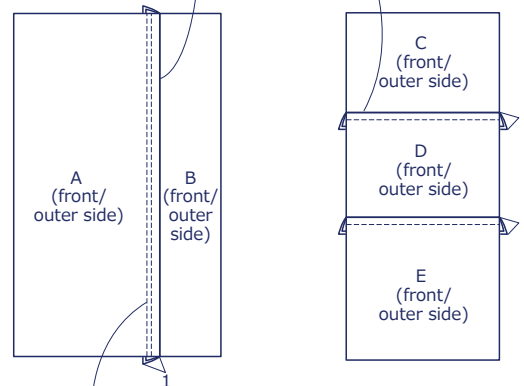
All measurements are in centimeters (cm).  
The edges are left cut.



## Instructions

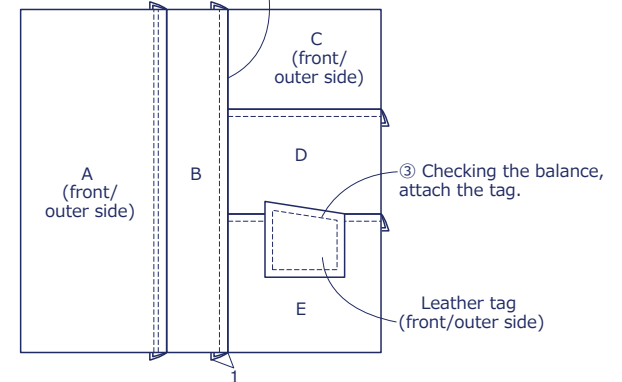
### 1. Prepare the front fabric.

① With outer sides facing each other, piece together A & B and C, D & E. Run a stitch.



Using accent colors, run two stitch lines.

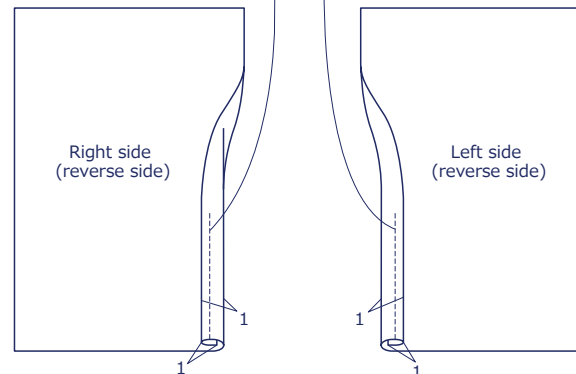
② With outer sides facing each other, sew together the pieces from ① and run a stitch.



③ Checking the balance, attach the tag.

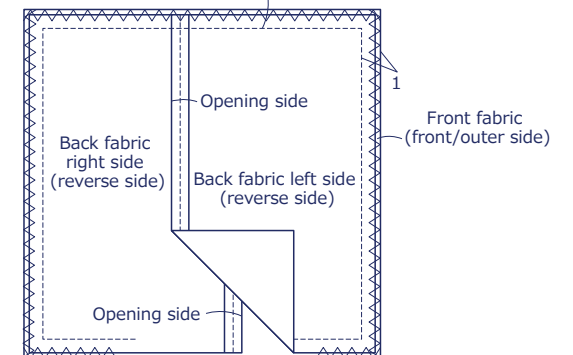
### 2. Prepare the back fabric.

Double-fold the opening side edge and run a stitch.



### 3. Piece together the front and back fabrics.

① With outer sides facing each other, piece together the front and back fabrics. Sew all the way around and run zigzag stitches.



② Turn it inside out and align the shape.