



Lunch Bag

Design & work created by Mioko Sugino (komihinata)

Size (When ribbon is untied)
 30cm (top opening width),
 18cm (bottom width), 12cm (height), 12cm (depth)
 (lunch box size - 17cm w x 12cm d x 5cm h))

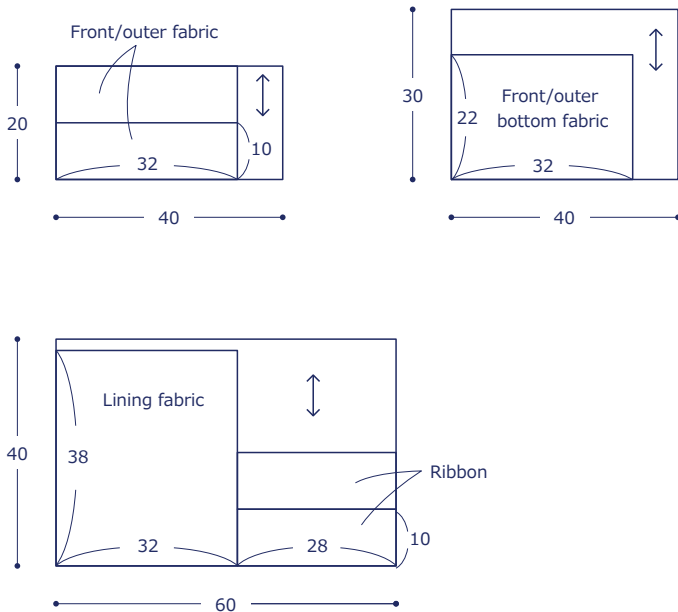
Materials

- Fabric: (Front/outer fabric) 40cm×20cm
 (Front/outer bottom fabric) 40cm x 30cm
 (Lining fabric, Ribbon) 60cm×40cm
- Zipper (Flat knit): One piece (30cm length)

Fabric shown for this sample: (Front/outer fabric)P29700-701 (B)

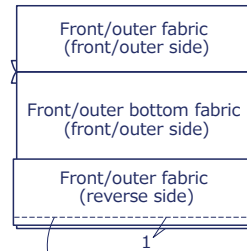
Cutting Layout

All measurements are in centimeters (cm). Edges are left cut.



Sewing Instructions

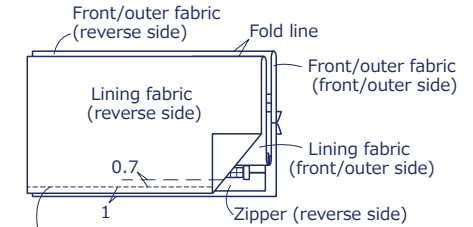
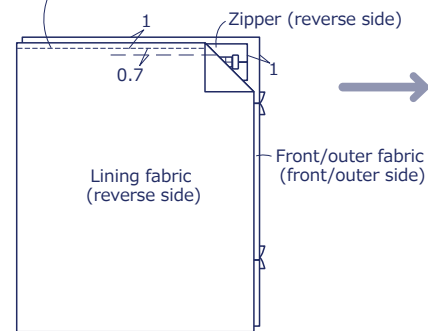
1. Make the front/outer fabric.



With front/outer sides facing each other, piece together the front/outer fabric and bottom fabric.

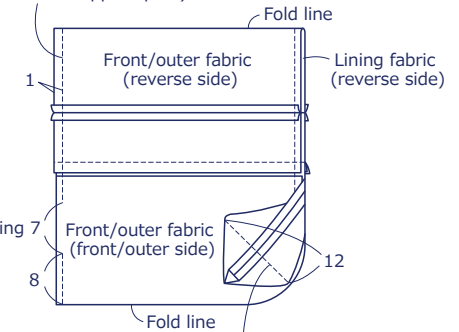
2. Sew together the front/outer fabric and lining fabric.

- ① Cut the zipper to 30cm in length.
- ② With front/outer sides facing each other, sew together the front/outer fabric and lining fabric with a zipper in-between.



- ③ To attach the zipper on the other side, repeat the same process as ②.

- ④ Align the stitch lines from ② and ③. Sew the sides, leaving an opening for turning. (Leave the zipper open.)



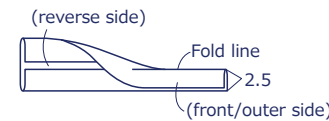
- ⑤ For both front/outer fabric and lining fabric, fold bottom corners to a triangle and sew the gusset.

3. Make a ribbon.

- ① Fold the edge of the short side.



- ② With front/outer sides facing outside, fold in four.



• Make two pieces.

- ③ Using the opening, turn the bag inside out and close up the opening. Place the lining bag inside and align the shape.

- ④ Attach the ribbon to the opening side.

