



Six-patch Kid's Hat

Design & work created by Masumi Saito (sinafuku)

Size: 54cm (around the head)

have fun with KOKKA fabric! produced by **KOKKA**

kokka-fabric.com

Materials

- Fabric: (Outer fabric A, B & C) 40cm×30cm each
(Lining fabric) 100cm×30cm
- Elastic Tape: 60cm (1cm width)

Fabric shown for this sample: pokefasu Cheering Bears JG45100-1 (A) (B) (C)

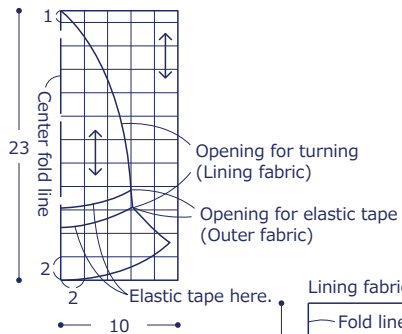
Pattern and Cutting Layout

All measurements are in centimeters (cm).

Pattern

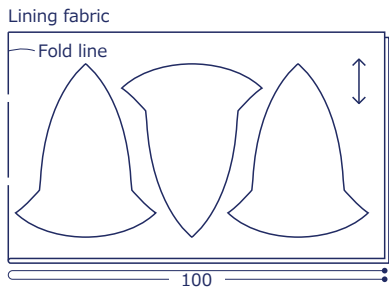
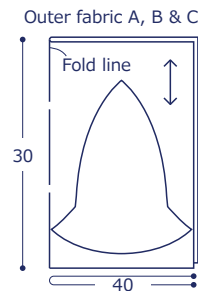
Enlarge it to a designated size.

Outer fabric A, B & C - two pieces each,
Lining fabric - six pieces



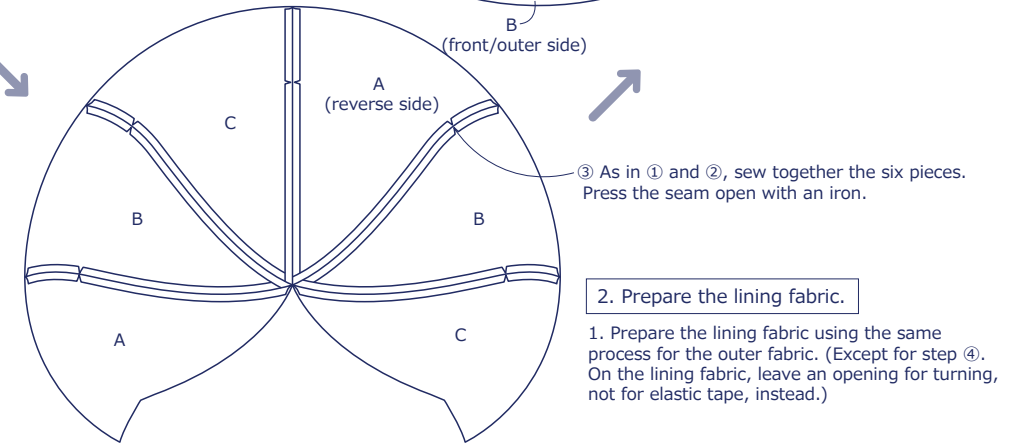
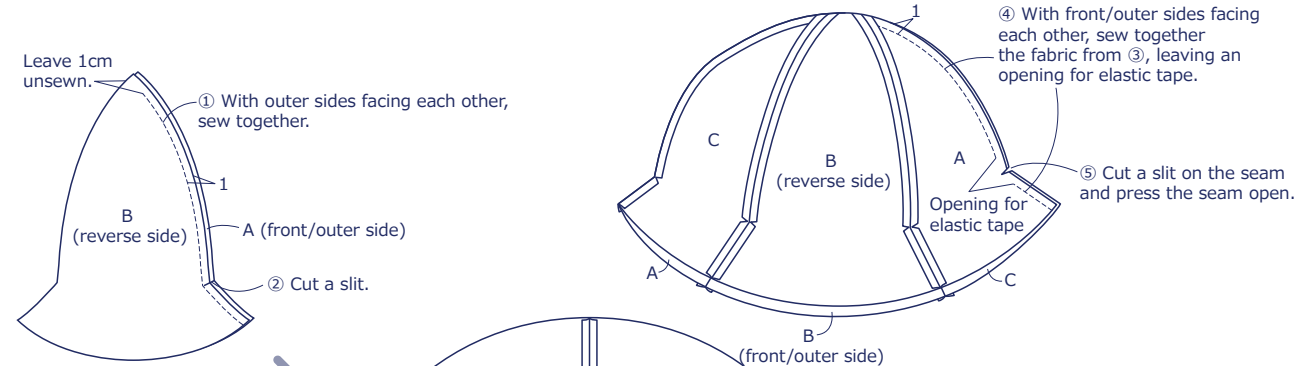
Cutting Layout

The edges are left cut.



Instructions

1. Prepare the outer fabric.



2. Prepare the lining fabric.

1. Prepare the lining fabric using the same process for the outer fabric. (Except for step ④. On the lining fabric, leave an opening for turning, not for elastic tape, instead.)

4. Put the elastic tape through the opening.

3. Piece together the outer fabric and lining fabric.

