



Kid's Dress

Design & work created by KOKKA Fabric

Size: 110cm (dress length)

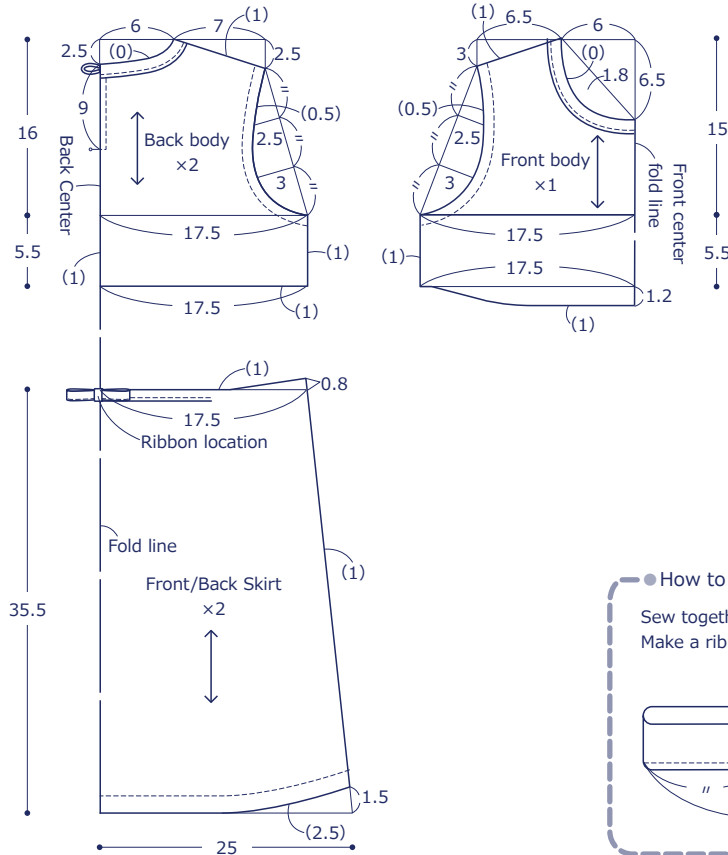
Materials

- Fabric: 80cm (108cm width)
- Bias binding tape – for edge trim (Color A): 135cm x 1.1cm wide
- Bias binding tape – double folded (Color B): 85cm x 1.27cm wide
- Button: One piece (1cm diameter)

Fabric shown for this sample: Joielinne P29900-900 (B)

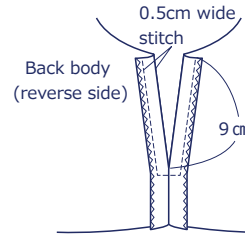
Cutting layout

All measurements are in centimeters (cm). Numbers in parenthesis denote seam allowance. Please add seam allowance when you cut the fabric.

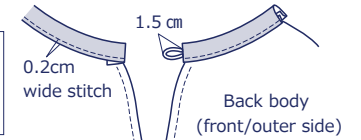


Instructions

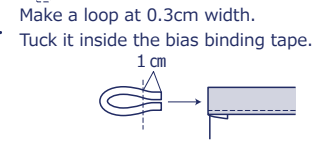
1. Serge or run zigzag stitches on the back center to create a slit.



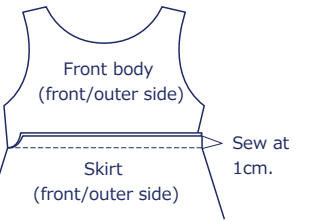
4. Finish the neckline using a bias binding tape (1.1cm wide) in color A.



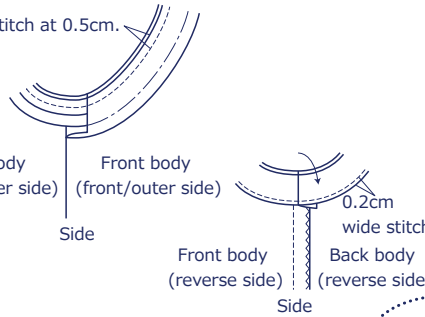
3. Sew together the shoulders. Serge or run zigzag stitches on the seam.



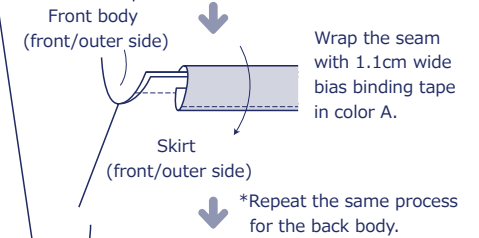
2. Put together the top and bottom of front body. Cover the stitch line with a 1.1cm wide bias binding tape.



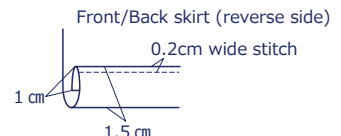
6. Finish the neckline using a double folded bias binding tape (1.27cm wide) in color B.



5. Sew the sides and serge or run zigzag stitches on the seam.



7. Double fold the hem at 1.5cm and run a topstitch.



8. Attach a button on the back of the neck. Attach a ribbon at the marked location.

