



# Stylish Reversible Bag

Design & work created by Y\*RT2 HANDMADE Yumi Kanaya

Size: 28cm (l) x 40cm (w)

Brooch (pin): about 12cm (diameter)

have fun with KOKKA fabric! produced by KOKKA

kokka-fabric.com

## Materials

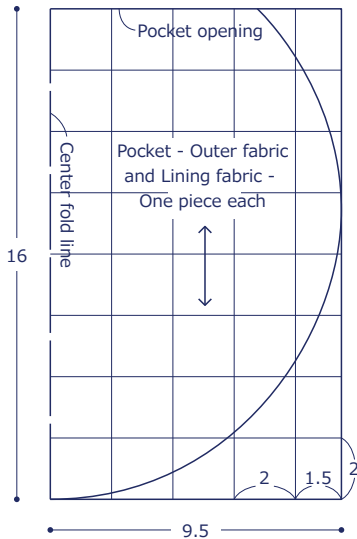
- Fabric: (Outer bag, Handle, Pocket (lining fabric - gingham) 100cm×50cm (Lining/inside bag fabric) 90cm×30cm (Pocket outer fabric, Brooch base fabric) 40cm×20cm (Top opening fabric (Chambray)) 50cm×20cm
- Fusible Interfacing: 90cm×70cm
- Fusible Quilt Batting: 90cm×50cm
- Tulle Lace: 1.8m (5cm wide)
- Lace: 80cm (6cm wide) 40cm (3cm wide)
- Brooch pin: One piece (2.5cm diameter)
- Button base for a fabric wrapped button: One piece (6cm diameter)
- Spangles of your choice and Ribbon

Fabric shown for this sample: (Lining/inside bag) nijipp JG46000-3 (B)  
(Pocket outer fabric / Brooch base fabric) nijipp JG46000-3 (A)

## Pattern and Cutting Layout

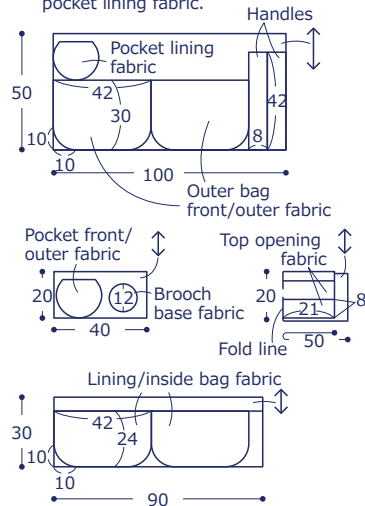
All measurements are in centimeters (cm). The edges are left cut.

Pattern - Enlarge to a desired size.



### Cutting Layout

The edges are left cut. Adhere fusible interfacing to front/outer bag fabric, top opening fabric, handles and pocket lining fabric.



## Instructions

- ### 1. Make a pocket.

① Run rough stitches on the tulle lace (90cm). Pull the thread to shrink to make the gathering.

② Adhere fusible quilt batting over fusible interfacing for front/outer fabric.

③ With front/outer sides facing each other, sew the pocket opening of the front and lining fabrics leaving an opening for turning.

④ Baste the lace.

⑤ Once again, with front/outer sides facing each other, sew the sides and bottom of the outer fabric and lining fabric.

⑥ Cut a slit on the seam along the curve.

⑦ Turn it inside out and align the shape. Run topstitches along the top.

⑧ Adhere fusible interfacing over fusible quilt batting for front/outer fabric.

\*Make two pieces

⑨ Attach the pocket to the front/outer bag fabric.
- ### 2. Make the handles.

① Adhere fusible quilt batting over fusible interfacing.

② With outer sides facing outside, fold and sew both edges.

\*Make two pieces

③ Press down the seam to the top opening fabric side and run topstitches.
- ### 3. Prepare the lining/inside bag fabric.

① With front/outer sides facing each other, sew lining fabric and top opening fabric together.

② Attach the tulle lace (42cm). Make two pieces.
- ### 4. Attach the handles.

Baste the handles to the front/outer bag fabric.

\*Make two pieces
- ### 5. Make the bag.

① With front/outer sides facing each other, sew the top opening of the outer and lining fabrics.

\*Make two pieces

② With front/outer sides facing each other, sew together the fabric from ①, leaving an opening for turning.

③ Turn it inside out and close the opening. Place the lining bag inside the outer bag.

④ Run topstitches around the top opening.
- ### 6. Make a brooch.

① Run rough stitches around the edge.

② Place the button base and pull the thread to wrap the base.

③ As in Step 1-①, gather the lace and sew it to the base.

④ Attach the brooch pin using an adhesive.

⑤ Attach the ribbon.