



Reusable Bag (Eco Bag)

Design & work created
by Yuki Inomata (neige+)

Size: 38cm (l) x 30cm (w) x 13cm (d)

have fun with KOKKA fabric! produced by **KOKKA**

kokka-fabric.com

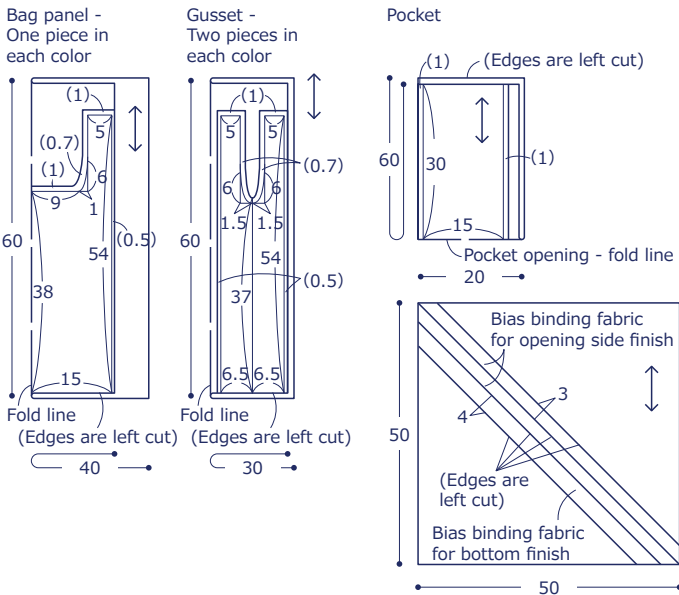
Materials

- Fabric: (Panels) Two designs 40cm×60cm each
- (Gusset) Two designs 30cm×60cm each
- (Pocket) 20cm×60cm each
- (Bias strip) 50cm×50cm

Fabric shown for this sample: Lighthearted HFG-105

Pattern and Cutting Layout

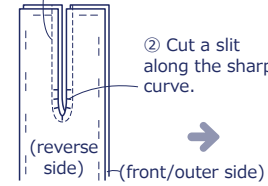
All measurements are in centimeters (cm).
Add seam allowance indicated in ().



Instructions

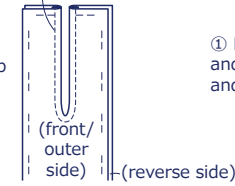
1. Make the gusset.

① With front/outer sides facing each other, place the fabrics of same design and sew the center.



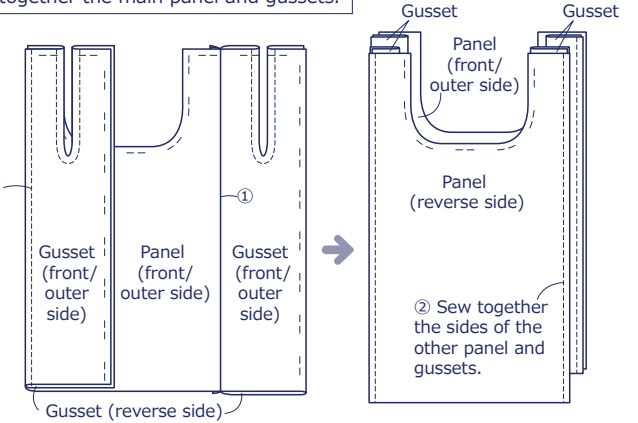
② Cut a slit along the sharp curve.

③ Turn it inside out and run a topstitch.

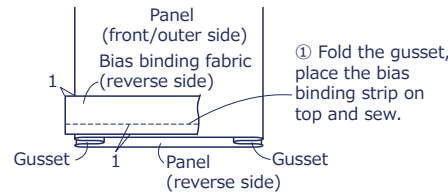


2. Sew together the main panel and gussets.

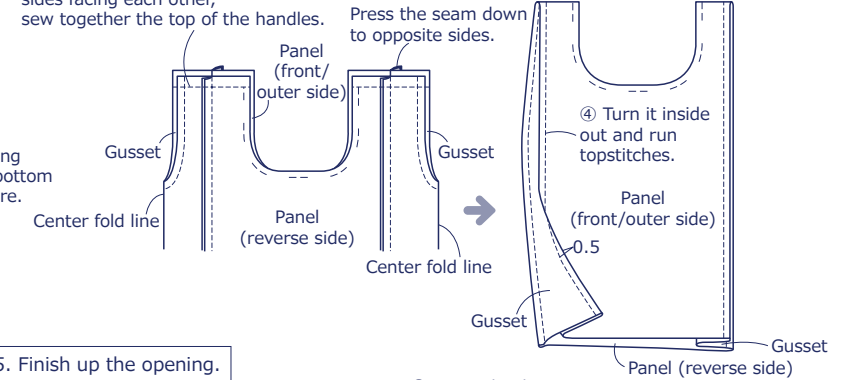
① Place the panel and gussets together and sew the side.



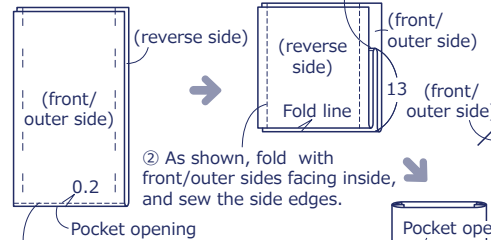
3. Finish the bottom.



③ As shown, with front/outer sides facing each other, sew together the top of the handles.



4. Make a pocket.



5. Finish up the opening.

① With front/outer sides facing outside, fold in half. Run topstitches at the top opening of the pocket.

③ Turn it inside out.

① With front/outer sides facing each other, sew together the bias binding fabric.

② Cut off the excess fabric.

③ With front/outer sides facing each other, place the bias binding fabric and sew.

④ Cut a slit along the sharp curve.

⑤ Turn over the bias binding fabric. Place the pocket in-between and sew.

⑥ Fold the edge for 1cm.

