



One Handle Bag for a Quick Outing

Design & work created by
Mioko Sugino (komihinata)

Size: 12cm (l) 20cm (w) 3cm (d)

have fun with KOKKA fabric! produced by **KOKKA**

kokka-fabric.com

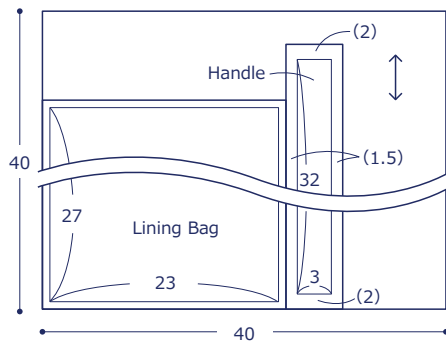
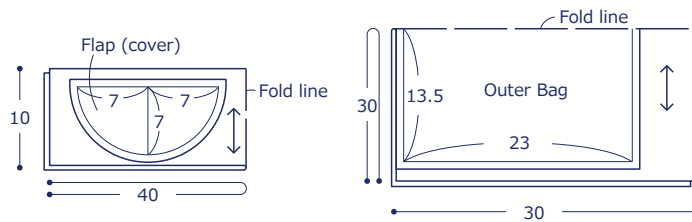
材料

- Fabric: (Flap (cover)) 40cm×10cm
(Outer bag) 30cm×30cm
(Lining bag, Handle) 40cm×40cm
- Quilt batting: 30cm×40cm
- Magnet hook (sew on type) One pair (1.9cm diameter)

Fabric shown for this sample: Lighthearted HFG-105

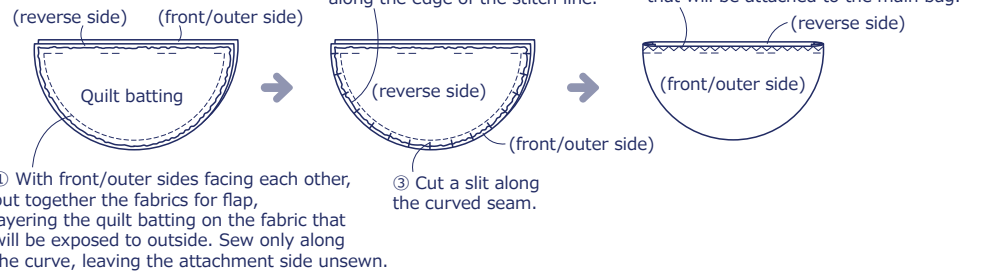
Pattern and Cutting Layout

All measurements are in centimeters (cm).
Numbers in () denote seam allowance.
All seam allowances 1cm unless otherwise stated.

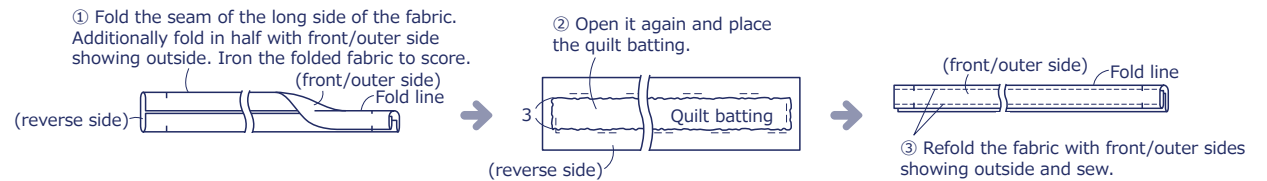


Instructions

1. Make the flap (cover).

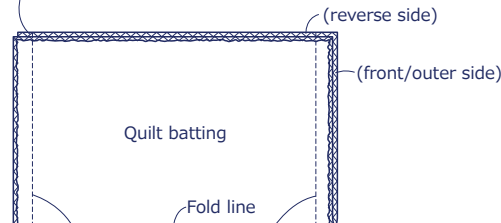


2. Make the handle.

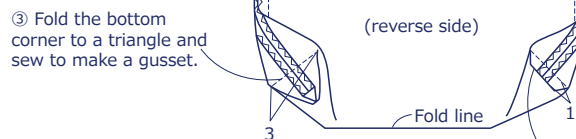


3. Make the outer bag.

- ① Place the quilt batting on top of the fabric. Surge or run zigzag stitches all around the edge.



- ② With front/outer sides facing each other, fold in half and sew both edges.



- ③ Fold the bottom corner to a triangle and sew to make a gusset.

- ④ Cut off the excess seam.

4. Make the lining bag.

Make the bag following the process in previous Step 3. ②-④.

5. Sew together the outer bag and lining bag.

