



Cotton Sateen One-Piece Dress

Design & work created by
Kimie Shimizu (style of ile)

Size: 58cm (garment width),
97cm (dress length)

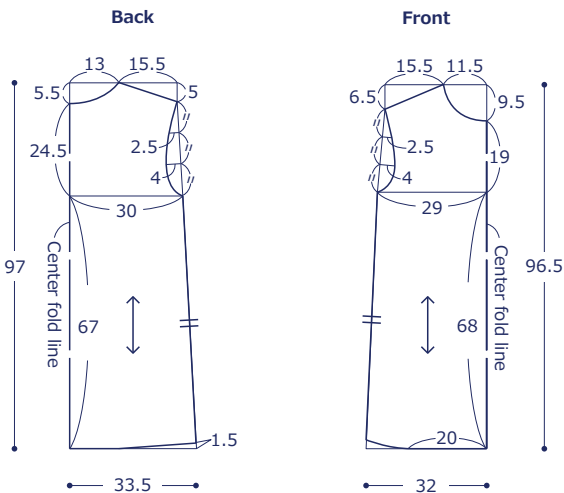
Materials

- Fabric: 2.1m (110cm wide)
- Bias binding tape: 3m (finished width 1.1cm)

Fabric shown for this sample: echino Huedrawer soaring JG99900-902 (D)

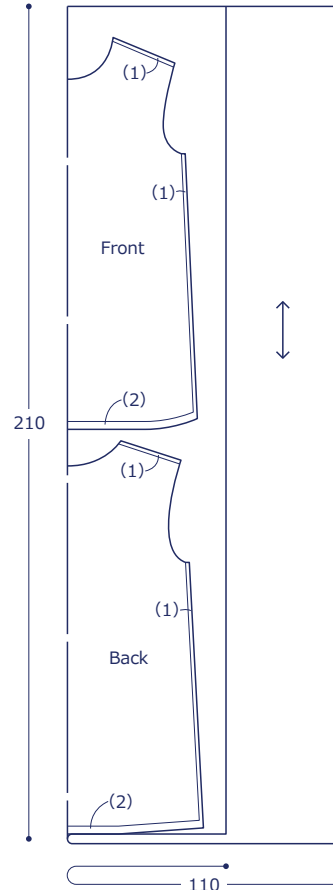
Pattern

All measurements are in centimeters (cm).



Cutting layout

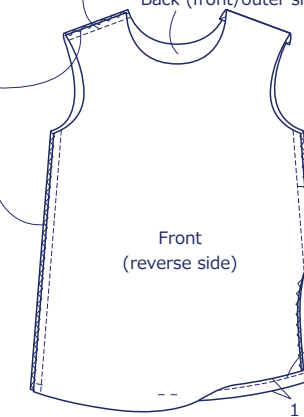
All measurements are in centimeters (cm).
Numbers in parenthesis denote seam allowance.
Unless specified, the edges are left cut.



Instructions

1. Piece together the front and back.

- ① With front/outer sides facing each other, piece together the front and back body at the shoulder. Back (front/outer side)
- ② Sew together both edges.
- ③ Serge or run zigzag stitches on the edge of the shoulder and side seams, with both front and back seams layered together. Press down the shoulder seam to the back and side seams to the front.
- ④ Double fold the hem and run top stitches.



2. Finish the neckline and armholes.

- ① With a bias binding tape, wrap the neckline and armholes. Stitch all around.
 - ② Make a bow (ribbon) and sew it on.
- Fold the edge for 1cm.
Fold line
Bias binding tape (front/outer side)
Shoulder, Side
Front (front/outer side)

How to make a decorative ribbon.

