



Clutch Bag

Design & work created by Yui Tamaki

Size: (when opened) 29cm (l) x 25cm (w)

have fun with KOKKA fabric! produced by KOKKA

kokka-fabric.com

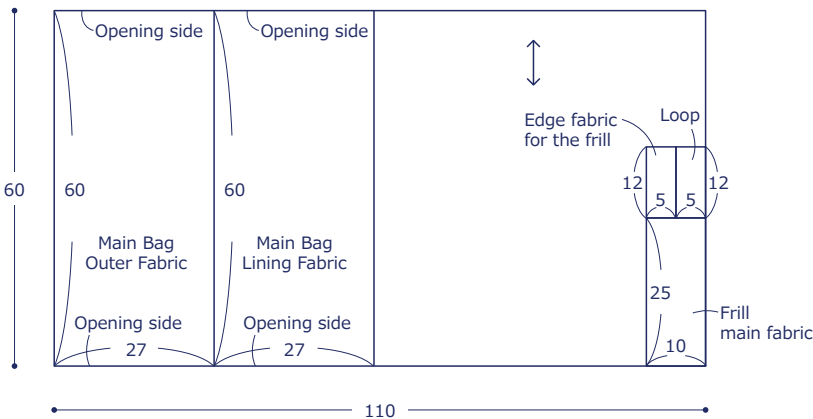
Materials

- Fabric: 110cm (wide) x 60cm
- Fusible interfacing (heavy weight) : 30cm x 60cm
- Zipper: Once piece (24cm)
- Snap: One set (1.0cm diameter)
- Button: Two pieces (0.8cm diameter)
- Decorative belt: One pair

Fabric shown for this sample: P33300-300 ©

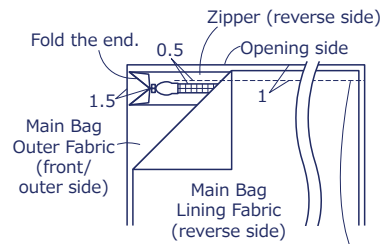
Pattern and Cutting Layout

All measurements are in centimeters (cm). The edges are left cut.
Attach the heavy-duty fusible interfacing to the main bag outer fabric.



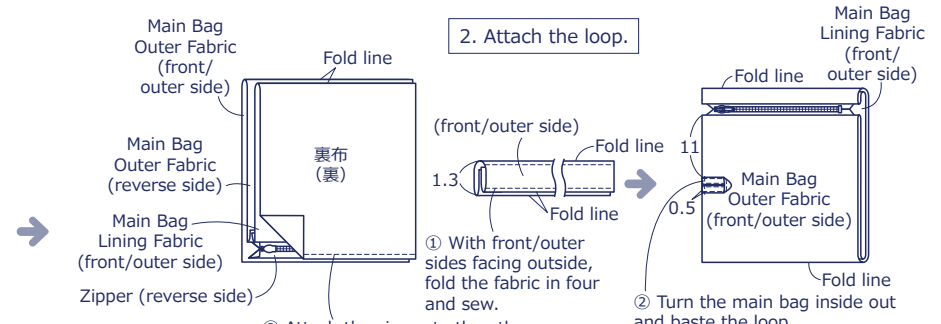
Instructions

1. Attach the zipper.



① With front/outer sides facing each other, put together the outer fabric and lining fabric with the zipper in-between. Sew them together.

2. Attach the loop.

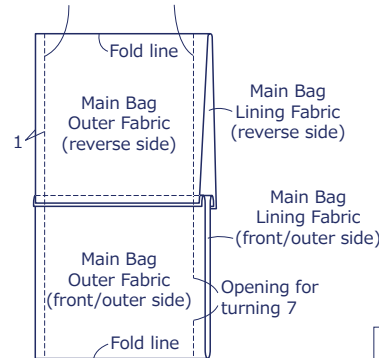


② Attach the zipper to the other opening side as in step ①.

② Turn the main bag inside out and baste the loop.

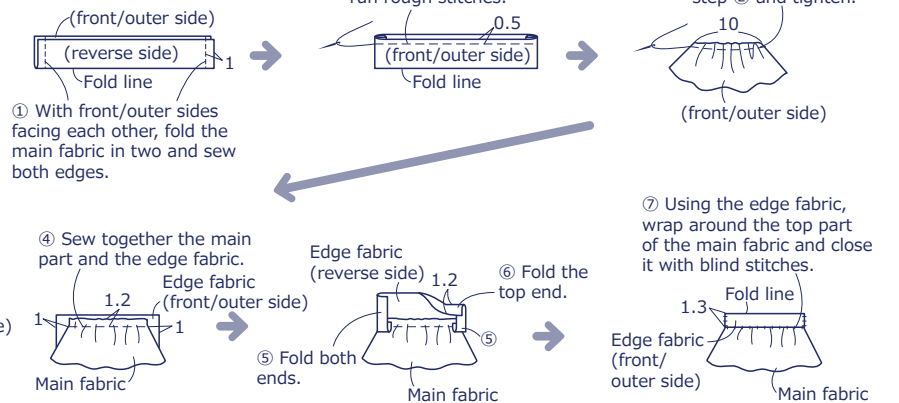
3. Make the main bag.

① With front/outer sides facing each other, put together the main bag fabric and lining bag fabric. Sew both edges, leaving an opening for turning. (Leave the zipper open)

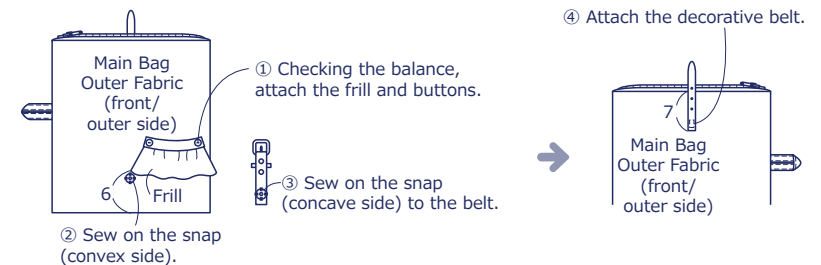


② Turn the bag inside out and close the opening. Put the lining bag into the main bag and align the shape.

4. Attach the frill.



5. Attach the embellishment.



② Sew on the snap (convex side).

① Checking the balance, attach the frill and buttons.

③ Sew on the snap (concave side) to the belt.

④ Attach the decorative belt.