



Lesson Bag

Design & work created by Kokka Fabric

Size: 30cm (h), 40cm(w)

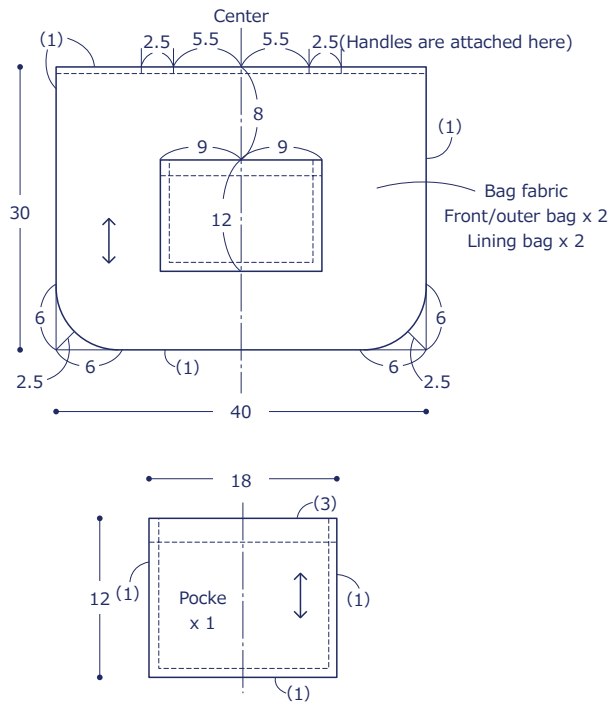
Materials

- Fabric(Front/outer bag fabric): 40cm x 110cm wide
(Lining/inside bag fabric, Pocket): 40cm x 110cm wide
- Heavy-duty Tape for the handles (2.5cm wide): 68cm
- Pom-pom embellishment: 100cm

Fabric shown for this sample: P32100-101 (A)

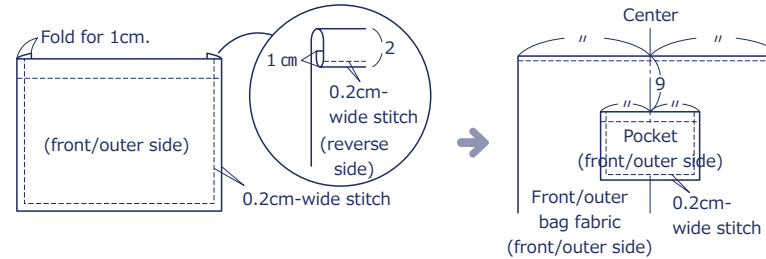
Pattern

All measurements are in centimeters (cm). Numbers in () denote seam allowance. Add seam allowance when cutting the fabric.



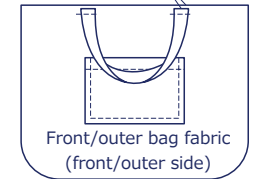
Instructions

1. Prepare the pocket. Attach the pocket to the main outer bag fabric.

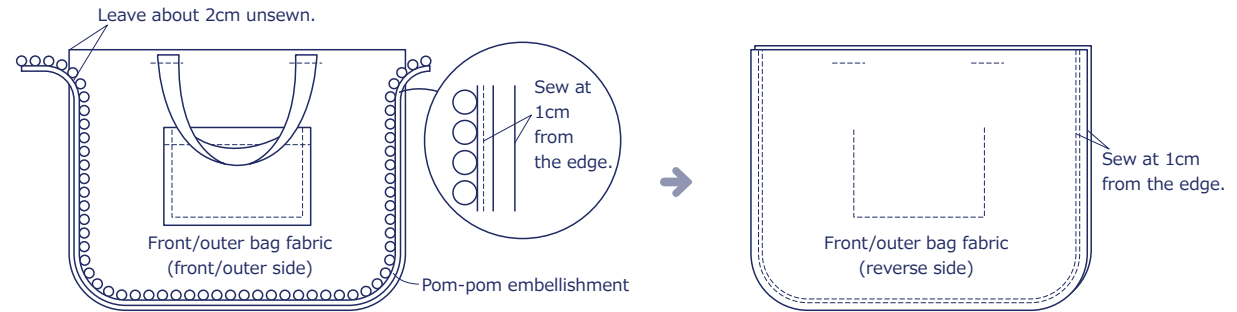


2. Baste the handles.

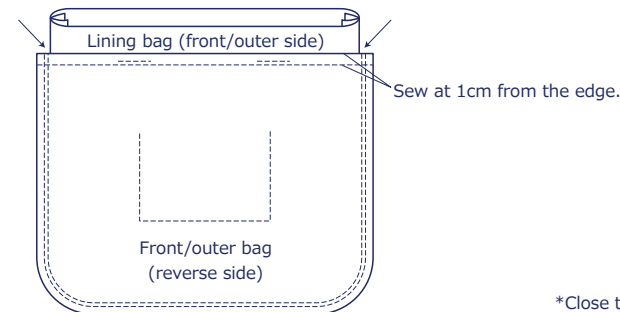
Baste the handles at 0.5 cm from the top opening. (Use heavy-duty tapes for the handles 34cm x 2)



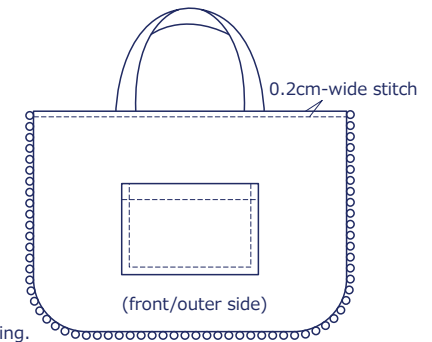
3. Attach the pom-pom embellishment to the front/outer bag fabric and sew around the edge. Prepare the lining bag (sew around the edge, leaving an opening for turning.)



4. With front/outer sides facing each other, sew together the front/outer bag and lining bag at the top opening.



5. Turn the bags inside out and run top stitches at the top opening.



*Close the opening for turning.