



Teardrop Shaped Smart Phone Case "Scandinavian Forest – Summer and Winter"

Design & work: Kanae Nakayama (kana2)

Size: 17cm (h) 15cm (largest width) 10cm (top opening)

have fun with KOKKA fabric! produced by **KOKKA**

kokka-fabric.com

Materials (for one case, A - Blue, B - Purple)

- Fabric (Outer fabric a): 40cm×20cm
(Outer fabric b, A Twill, B Stripe): 40cm×10cm
(Lining Fabric A Stripe, B Polka dot print): 40cm×20cm
- Fusible quilt batting: 40cm×20cm
- Rick rack tape: 40cm (0.4cm wide)
- Tape: 10cm (1cm wide)
- Snap: One pair (1cm diameter)
- Handle with two swivel hooks and D rings: 23cm One piece (D ring's inner diameter 1cm)

Fabric shown for this sample: (Outer fabric a)

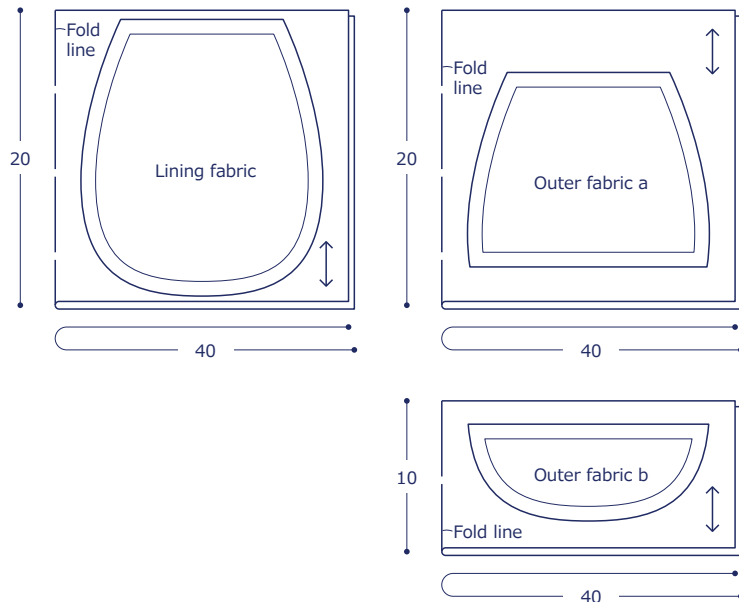
A - Blue P33800-802 (C)

B - Purple P33800-802(D)

Cutting Layout

All measurements are in centimeters (cm). Add 1cm seam allowance.

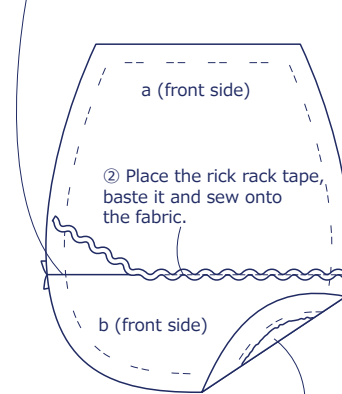
For Outer fabric a, if you would like to determine the right pattern to use, spread the fabric and select the pattern you like for each piece.



Instructions

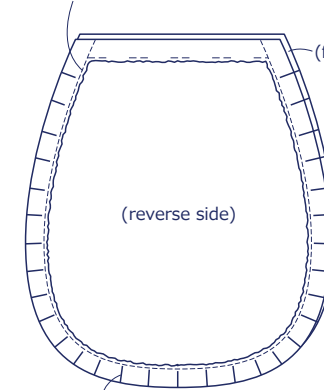
1. Make the outer bag.

① With front sides facing each other, sew together fabric a and b.

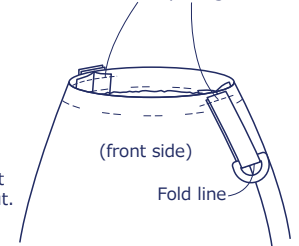


* Make two pieces.

④ With front sides facing each other, sew together the pieces leaving an opening.



⑦ Put the tape through "D" ring. Fold the tape in half and temporarily fix it to the side of the opening.

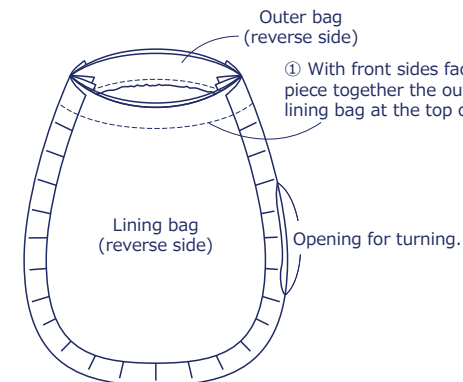


⑥ Turn it inside out.

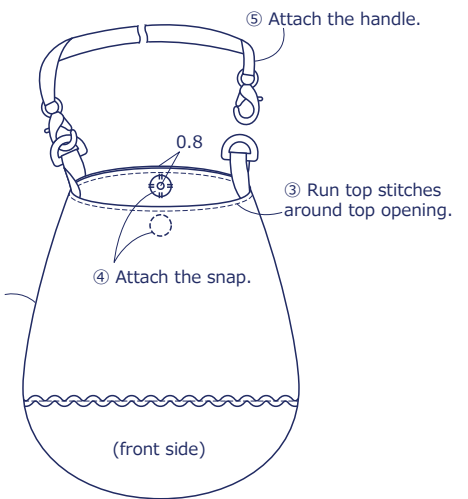
2. Make the lining bag.

Following Step 1's process ④ and ⑤, make the bag. (In process ④, make sure to leave 6cm opening for turning.)

3. Piece together the outer bag and lining bag.



③ Run top stitches around top opening.



Cut the fabric with 1cm seam allowance.

