



# echino's Dress with Pockets

Design & work: Kaoriko Sawa

Size: 92.5cm (dress length)

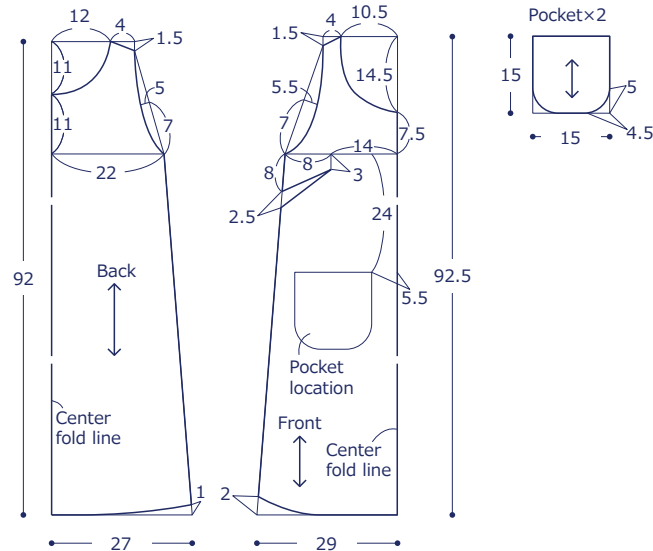
## Materials

□ Fabric: 110cm×2.5m

Fabric shown for this sample: echino JG96000-601 (A)

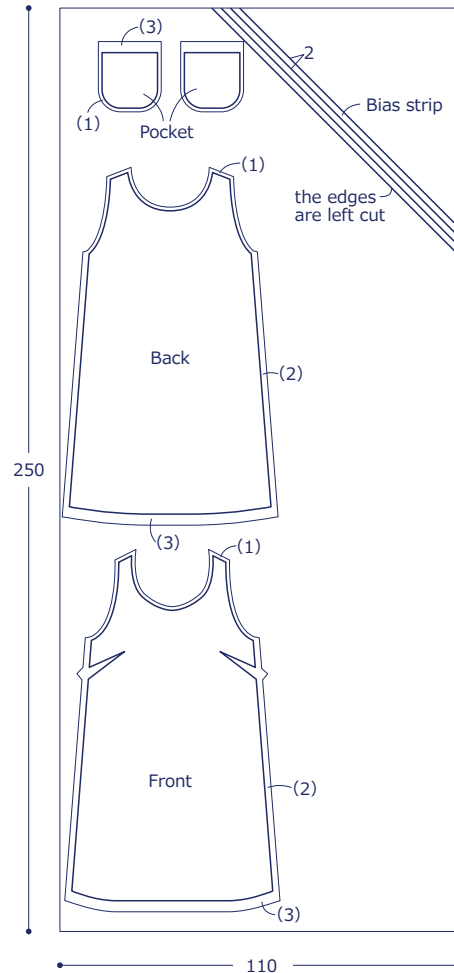
## Pattern

All measurements are in centimeters (cm).



## Cutting layout

Numbers in parenthesis denote seam allowance. Unless specified, add 0.5cm allowance.



have fun with KOKKA fabric! produced by **KOKKA**

[kokka-fabric.com](http://kokka-fabric.com)

## Instructions

