



Pleated Pouch

Design & work: Kokka Fabric

Size: about 17cm (l) x about 28cm (w)
about 4cm (d)

*not including the handle

have fun with KOKKA fabric! produced by **KOKKA**

kokka-fabric.com

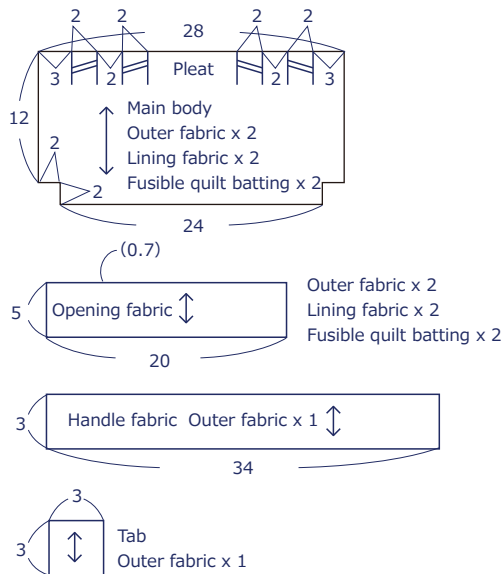
Materials

- Outer fabric: 20cm (at least 110cm wide)
- Lining fabric: 20cm (at least 110cm wide)
- Fusible quilt batting: 20cm (at least 90cm wide)
- Zipper: 1 piece (20cm)
- Metal clasp: 1 piece (1.5cm wide)
- "D" Ring: 1 piece (1.5cm wide)

Fabric shown for this sample: Irome HFG107-5 (C), HFG107-1 (C)

Pattern and Cutting Layout

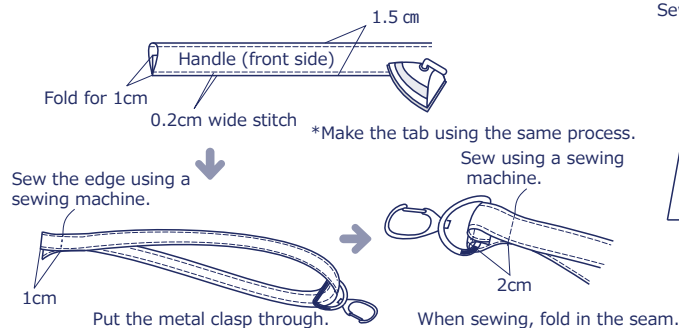
All measurements are in centimeters (cm).
Numbers in () denote seam allowance.
All seam allowances 1cm unless otherwise stated.



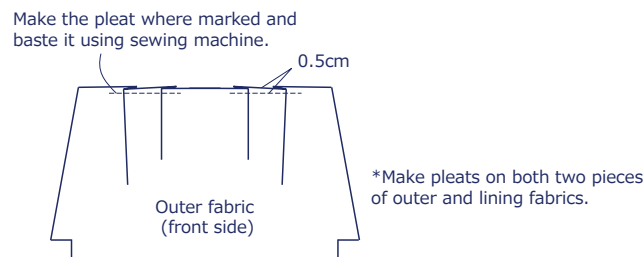
* Attach fusible quilt batting to the main body outer fabric and opening outer fabric.

Instructions

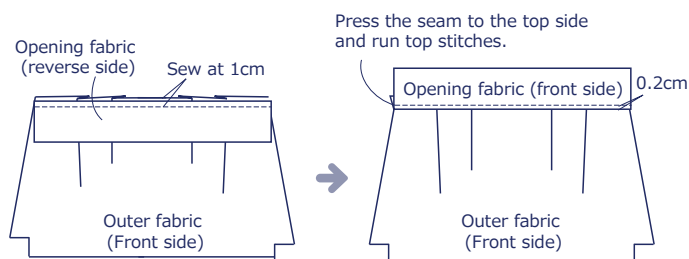
1. Make the handle and tab.



2. Create the pleat on the main body.

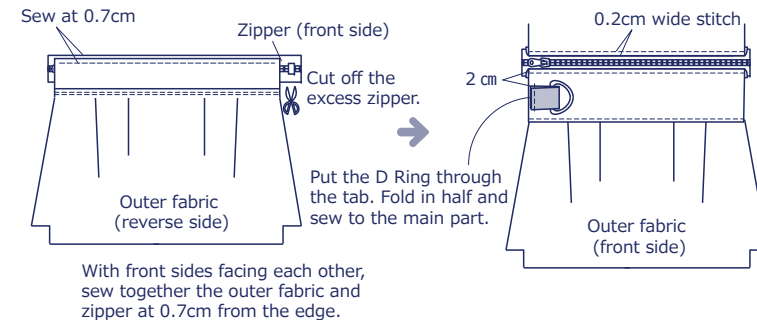


3. With front sides facing each other, sew together the opening and main body fabrics.



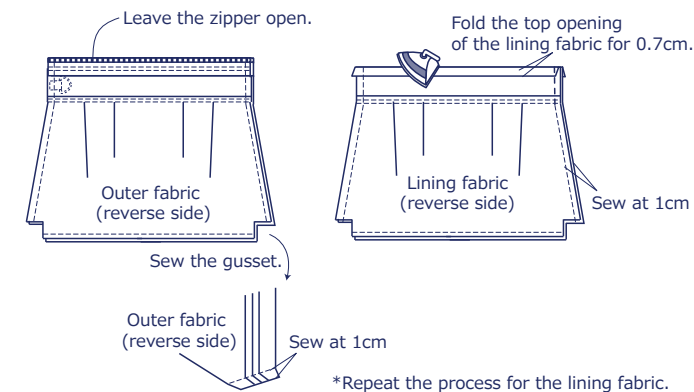
*Repeat the process for both two pieces of outer and lining fabrics.

4. Attach the zipper to the outer fabric.



With front sides facing each other, sew together the outer fabric and zipper at 0.7cm from the edge.

5. With front sides facing each other, sew together the outer and lining fabrics at the sides and bottom.



6. To finish, sew together the top opening of the lining fabric and zipper using blind stitches.

