



# Pouch with wired-clasp opening

Design & Work: Yui Tamaki

Size: 17cm (l) x 25cm (w) x 10cm (d)

© Anna Berger

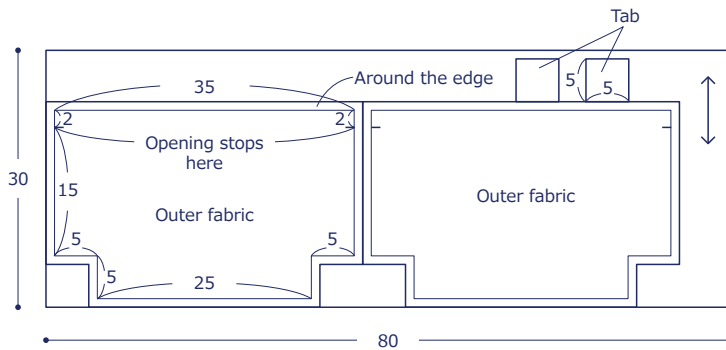
## Materials

- Fabric (Outer fabric, Tab): 80cm×30cm  
(Lining fabric): 80cm × 30cm
- Thick fusible interfacing: 80 × 30cm
- Quilt batting: 80 × 30cm
- Zipper: One piece (50cm long)
- Metal wired clasp: One pair (5cm long x 24cm wide)
- Embellishment of your choice (Ribbon, Chain, Tag)

Fabric shown for this sample: Anna Berger JG48500-3(A) (Outer fabric), JG48500-1(A) (Lining fabric)

## Pattern and Cutting Layout

Numbers in ( ) denote seam allowance. The edges are left cut.

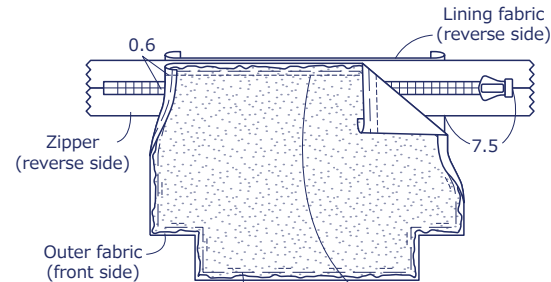


Same measurements for lining fabric. Cut two pieces (no tabs)

## Instructions

### 1. Attach a zipper.

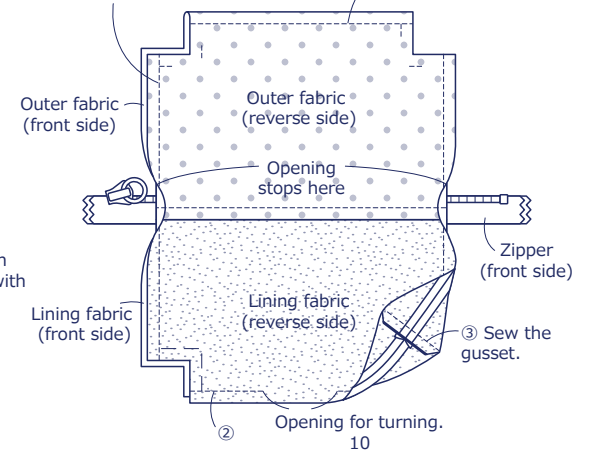
- ① Adhere fusible interfacing to the back of outer fabric.



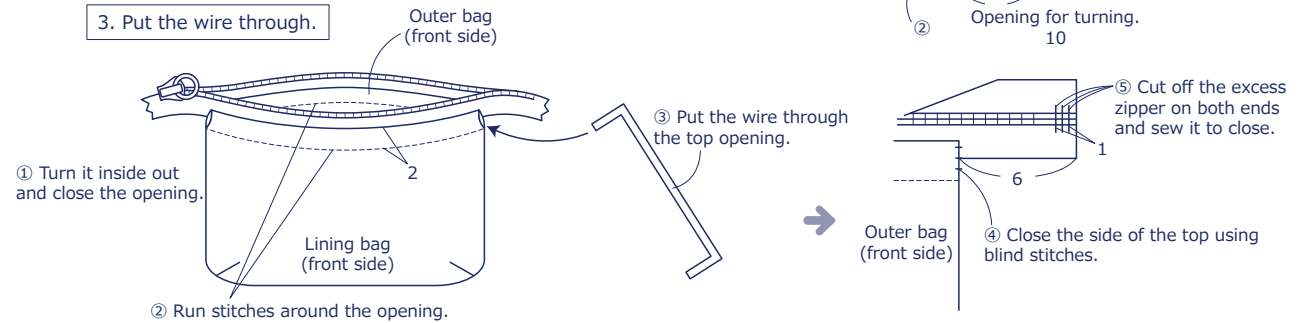
- ② Layer quilt batting over lining fabric and sew it temporarily.
- ③ Fold the edge seam on both outer and lining fabrics, and with front sides facing each other, sew together with a zipper.
- ④ Prepare the other outer fabric and lining fabrics, repeating the process ① - ③.

### 2. Make the bags.

- ① With front sides facing each other, sew together the sides of outer fabrics and lining fabrics. Sew it up to where the opening stops. (Leave the zipper open.)
- ② Sew the bottom. (On the lining bag, leave an opening for turning.)



### 3. Put the wire through.



### 4. Make the tab.

